



EN 2023-2 Style

All rights in this catalog reserved by Albatır Endıstri A.S. no part of this publication may be reproduced or copied without any written permission. All technical details are subject to change. Our products are registered with utility model and industrial design documentations.

Technical dimensions are not binding given in the catalog. They are recommended installation sizes. Albatır can make modification on the products features without any notice.

Our company is not responsible for typographic fault.

© COPYRIGHT 2022

ALBATUR[®]
produces quality



About Us

In Turkey's leading Sliding System Company Albatır Industry Inc's journey was started in Bursa at 1976

Our Company, which servers different sectors with its own identity, since 2003 has determined it focus on sliding folding systems and sliding door systems.

With 45 years of production experience Albatır is manufacturing its products in Bursa's Nilüfer district 11.000 m² factory in modern facility and respected to nature.

All furniture fittings manufactured; R&D, design, mold, sheet metal forming, eccentric press, hydraulic press, plastic injection, cnc machining, electrostatic painting, wet painting, aluminum processing machines, assembly and robot automations has own in-house manufacture. Our production processes are under the control of our engineers who are experts in their fields.

Albatır, besides to expanding living spaces with products it has developed, is a brand that sets the highest level of customer satisfaction as a target with innovative and technological solutions and adds value to its sector.

Albatır provides solutions adding the value to life in furniture accessories in Turkey and around the World; today with 300+ active business partners in the domestic market and exports to more than 60+ countries the number of which is increasing day by day in 5 continents.

We sincerely thanks to our valuable business partners, stakeholders, employees, customers and who prefer our products, supports and who have been with us on this journey.



Environmental Policy



Albatur Industry Inc. adopts the environmental policy in all activities it carries out, continuous improvement, effective use of natural resources, full compliance with the law and prevention of pollution, reduction and separation of the wastes generated during its operations at the source, recycling and recycling with the most appropriate methods.

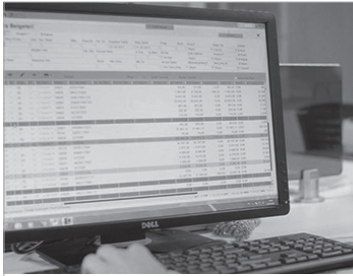
Within of this policy;

- Using the best methods and technologies to minimize environmental impacts by identifying environmental aspects of our operations, identifying the types and harms of impacts,
- To organize training activities to raise awareness of our employees, suppliers and subcontractors on environmental protection,
- Selecting as much renewable energy resources as possible,
- In order to prevent environmental pollution, it has the duty to follow the legal, international regulations and to continuously improve the environmental performance by adapting to them.

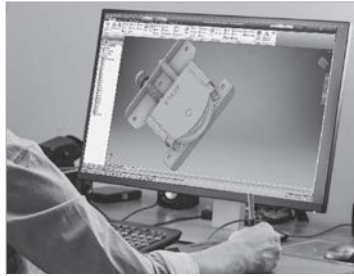
We think it is a responsibility for leave a livable world for future generations so we are getting electricity from solar energy for our production.



Competences



ERP Process Control System



R & D Product Design Process



Mold Design Manufacturing



CNC Machining Process



Metal Sheet Forming



Quality Control



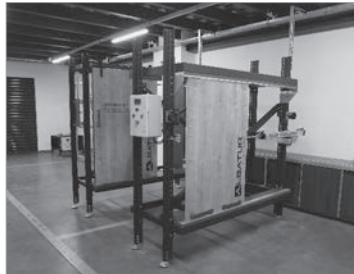
Automation Production



Plastic Injection



Robotics Paint Facility



Products Test Process



Vibration Line



Aluminium Profile Processing



Wide Product Stocking



Assembly Processes



Engineering Processes



Robotic Automation Production Line



Catalog



Product Assembly Videos 3D



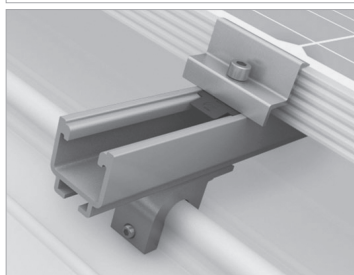
We Care About Green Energy



Exhibitions



Certification



Special Product Development



Product Stands



Export

CONTINUOUS IMPROVEMENT

To ensure a high level of customer satisfaction and competitiveness is not enough to deal with in order to maintain the quality of the process.

Our goal is to improve quality continuously.

Strive to be the best in competing with the best.

We work shoulder to shoulder with the understanding that other persons too have important jobs.

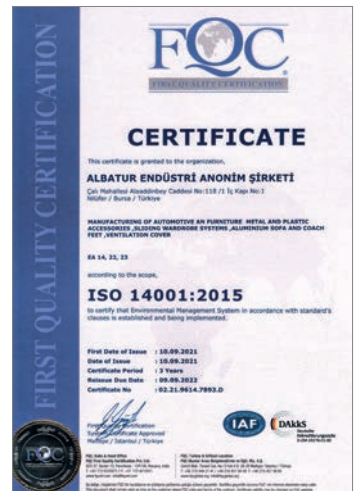
We are all experts in their own department applications.

In order to achieve common goals as a team work towards ensuring maximum personal participation.

We see our suppliers as partners for contributing to the success of our company.

In connection with the development team in our company we choose the best ones to make sure that the active participation.

Quality measure based on customer expectations.



Product Groups

<p>Coplanar®</p>		<p>Coplanar Sliding Wardrobe Series</p>	<p>Page -</p> <p>Group 101</p>
<p>TopSlide®</p>		<p>Sliding Wardrobe Series</p>	<p>Page 12</p> <p>Group 102</p>
<p>Multiline®</p>		<p>Sliding Door Series</p>	<p>Page 20</p> <p>Group 103</p>
<p>WingSlide®</p>		<p>Sliding Foldable Door Series</p>	<p>Page 38</p> <p>Group 105</p>
<p>Glassline®</p>		<p>Sliding Glass Door Series</p>	<p>Page 40</p> <p>Group 108</p>
<p>Rigel®</p>		<p>Sliding Rail Wardrobe Series</p>	<p>Page 42</p> <p>Group 109</p>
<p>TvSlide®</p>		<p>Sliding Tv Unit Series</p>	<p>Page 43</p> <p>Group 110</p>
<p>Softline®</p>		<p>Soft Closers Series</p>	<p>Page -</p> <p>Group 117</p>
<p>Pulltens®</p>		<p>Pull & Tension Series</p>	<p>Page -</p> <p>Group 118</p>
<p>BarnDoor®</p>		<p>BarnDoor Sliding Door Series</p>	<p>Page 44</p> <p>Group 119</p>
<p>DoorSlide®</p>		<p>Wooden Sliding Door Series</p>	<p>Page 48</p> <p>Group 120</p>

DoorSync®Wood		Wooden Funicular Sliding Door Series	Page 60 Group 121
MasterFold® MidFold®		Wooden Foldable Sliding Door Series	Page 64 Group 122
GlassDoor®		Glass Door Sliding Series	Page 70 Group 123
DoorSync®Glass		Funicular Glass Door Series	Page 78 Group 124
MultiDoor®		Telescopic Wooden Sliding Door Series	Page 80 Group 127
Underline®		Door Hardware Series	Page 87 Group 130
MagicLift®		Wardrobe Equipments Series	Page 86 Group 135
Ventil®Aluminium		Aluminium Air Ventilation Cover Series	Page 92 Group 140
Ventil®Plastic		Plastic Air Ventilation Cover Series	Page 95 Group 141
TurnTable®		Swivel Plate - Turnable Table Series	Page 96 Group 142
Feet		Furniture Feet Series	Page 97 Group 144



100 KG SLIDING WARDROBE SYSTEM



TopSlide 8220

- Top hanger and adjustable sliding wardrobe system.
- Suitable for wood panel doors.
- Able to use 2 / 3 / 4 door.
- Maximum carrying capacity is 100 kg per door.
- Able to use door thickness 16 - 20 mm
- Carrier mechanism body is made of aluminum material.
- Recommended for use with maximum height of 2600 mm
- Doors can be adjustable horizontal and vertical ± 4 mm
- System has soft closing opening and closing way within rail brake system feature.
- A smooth and stable deceleration is provided by the soft closers on the bottom rail.
- System has soft closing opening and closing way within rail brake system feature.
- System has 8 soft closer for bottom and upper rail inside for 2 door.
- Oil Soft Closer system.
- In 3-door applications, braking can be done optionally on the right, left and middle.
- Lower mechanism is Beta type. (female wheel)
- Profiles and mechanisms are shipping in separate packages.
- In case of lot orders, it can be optionally shipping with Setbox Packaging.
- You can follow installation 3D videos of our products on www.albaturas.com
- Door can not go out from the rail because of mechanism has hook system .
- It offers an aesthetic and stylish appearance thanks to its special anthracite paint.
- System is working silent and long life working because of high quality ball bearings.
- 5 different version available for different thicknesses between 18-50 mm
- Bottom sliders guides has ball bearing with tpu enjection.
- It consists of 2 units as internal door and external door.



Daha fazla bilgi için QR kodu okutunuz.
Scan the QR code for more information.



100 KG SLIDING WARDROBE SYSTEM



TopSlide 8250

- Top hanger and adjustable sliding wardrobe system.
- Suitable for wood panel doors.
- Able to use 2 / 3 / 4 door .
- Maximum carrying capacity is 100 kg per door.
- Able to use door thickness 18 - 50 mm
- Carrier mechanism body is made of aluminum material.
- Recommended for use with maximum height of 2600 mm
- Doors can be adjusted vertically ± 4 mm
- System has soft closing opening and closing way within rail brake system feature.
- A smooth and stable deceleration is provided by the soft closers on the bottom rail.
- System has 8 soft closer for bottom and upper rail inside for 2 door.
- Lower mechanism is Beta type . (female wheel)
- Profiles and mechanisms are shipping in separate packages.

- In case of lot orders, it can be optionally shipping with Setbox Packaging.
- You can follow installation 3D videos of our products on www.albaturas.com
- Door can not go out from the rail because of mechanism has hook system .
- It offers an aesthetic and stylish appearance thanks to its special anthracite paint.
- In 3-door applications, braking can be done optionally on the right, left and middle.
- System is working silent and long life working because of high quality ball bearings.
- 5 different version available for different thicknesses between 18-50 mm
- Bottom sliders guides has ball bearing with tpu enjection.
- It consists of 2 units as internal door and external door.



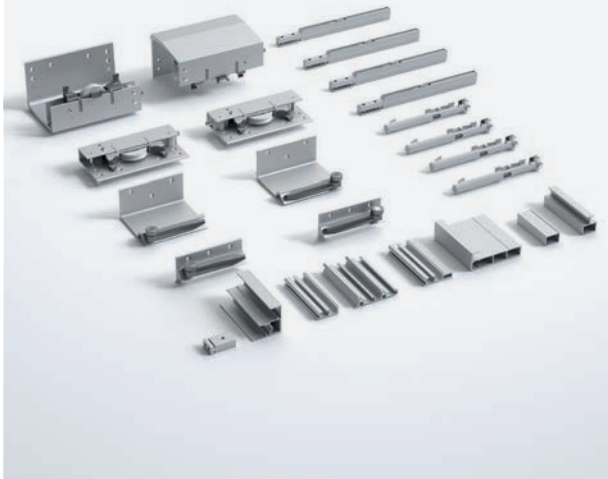
Daha fazla bilgi için QR kodu okutunuz.
Scan the QR code for more information.



100 KG SLIDING WARDROBE SYSTEM



TopSlide 8232



- Top hanger and adjustable sliding wardrobe system.
- Suitable for wood panel doors.
- Able to use 2 / 3 / 4 door .
- Maximum carrying capacity is 100 kg per door.
- Able to use door thickness 18 - 30 mm
- Carrier mechanism body is made of aluminum material.
- Recommended for use with maximum height of 2600 mm
- Doors can be adjustable horizontal and vertical ± 4 mm
- System has soft closing opening and closing way within rail brake system feature.
- A smooth and stable deceleration is provided by the soft closers on the bottom rail.
- System has 8 soft closer for bottom and upper rail inside for 2 door.
- There is an option of aluminum frame cover profiles for glass cover construction
- Lower mechanism is Beta type. (female wheel)

- Profiles and mechanisms are shipping in separate packages
- In case of lot orders, it can be optionally shipping with Setbox Packaging.
- You can follow installation 3D videos of our products on www.albaturas.com.
- Door can not go out from the rail because of mechanism has hook system.
- It offers an aesthetic and stylish appearance thanks to its special anthracite paint.
- In 3-door applications, braking can be done optionally on the right, left and middle.
- System is working silent and long life working because of high quality ball bearings.
- 5 different version available for different thicknesses between 18-50 mm
- Bottom sliders guides has ball bearing with tpu enjection.
- It consists of 2 units as internal door and external door.



Daha fazla bilgi için QR kodu okutunuz.
Scan the QR code for more information.



100 KG SLIDING WARDROBE SYSTEM



TopSlide 8223

- Top hanger and adjustable sliding wardrobe system.
- Suitable for wood panel doors.
- 3 door applications suitable
- Maximum carrying capacity is 100 kg per door.
- Able to use door thickness 16 - 20 mm
- Carrier mechanism body is made of aluminum material.
- Recommended for use with maximum height of 2600 mm
- Doors can be adjusted vertically ± 4 mm
- System has soft closing opening and closing way within rail brake system feature.
- System has 11 soft closer for bottom and upper rail inside for 3 door.
- Lower mechanism is Beta type. (female wheel)
- Profiles and mechanisms are shipping in separate packages.
- In case of lot orders, it can be optionally shipping with Setbox Packaging.

- You can follow installation 3D videos of our products on www.albaturas.com
- Door can not go out from the rail because of mechanism has hook system.
- It offers an aesthetic and stylish appearance thanks to its special anthracite paint.
- There is a 3-door mechanism in the product set, and unlike other applications, front door can work in two directions.
- System is working silent and long life working because of high quality ball bearings.
- 5 different version available for different thicknesses between 18-50 mm
- Bottom sliders guides has ball bearing with tpu enjection.
- It consists of 3 units for 2 internal door and 1 external door.



Daha fazla bilgi için QR kodu okutunuz.
Scan the QR code for more information.



70 KG SLIDING WARDROBE SYSTEM



TopSlide SRG 190

- Top hanger and adjustable sliding wardrobe system.
- Able to use wooden and aluminium glass frames doors.
- Able to use 2 / 3 / 4 door .
- Maximum carrying capacity is 70 kg per door.
- Able to use door thickness 16 - 50 mm
- Carrier mechanism body is made of sheet material.
- Recommended for use with maximum height of 2600 mm
- Doors can be adjusted vertically ± 4 mm
- With the brake system inside the rail, system has soft closing opening and closing way.
- 4 pcs soft closing mechanism inside the upper rail.
- System is working with Oil soft closer system.
- Lower mechanism is Gama type. (male wheel)
- Profiles and mechanism are shipping in separate packages.
- In case of lot orders, it can be optionally shipping with Setbox Packaging.
- You can follow installation 3D videos of our products on www.albaturas.com
- It offers an aesthetic and stylish appearance thanks to its special anthracite paint.
- Can be applied to different panel thicknesses in a single mechanism body.
- System is working silent and long life working because of high quality ball bearings.
- It consists of 2 units for internal and external door.
- 50 kg soft option is available for light doors. (Multiline SRG 195)



Daha fazla bilgi için QR kodu okutunuz.
Scan the QR code for more information.



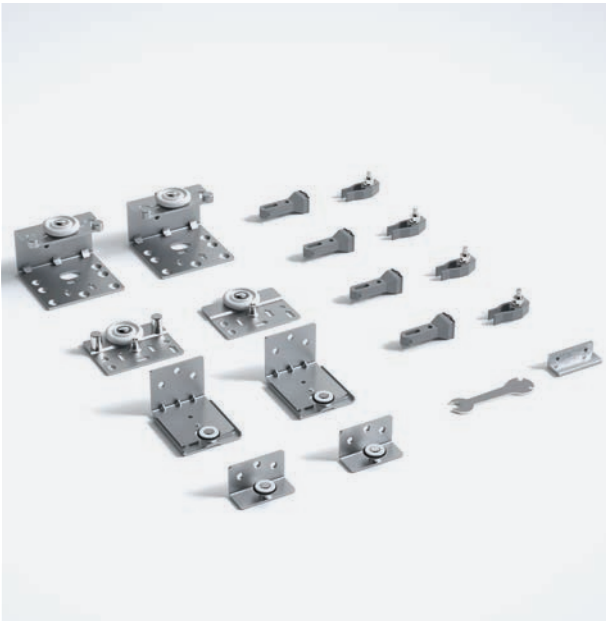
60 KG SLIDING WARDROBE SYSTEM



TopSlide 8030

- Top hanger and adjustable sliding wardrobe system.
- Suitable for wood panel doors.
- Able to use 2 / 3 / 4 door .
- Maximum carrying capacity is 60 kg per door.
- Able to use door thickness 16-25 mm
- Carrier mechanism body is made of sheet material.
- Recommended for use with maximum height of 2600 mm
- Doors can be adjusted vertically ± 4 mm
- Able to use soft closer M17 6710 and M17 6666 as optional for one way.
- Soft closer air or oil piston system alternatives are available.
- Carrier mechanism is wheel type oval model.
- Profiles and mechanisms are shipping in separate packages.
- In case of lot orders, it can be optionally shipping with Setbox Packaging.

- You can follow installation 3D videos of our products on www.albaturas.com
- Door can not go out from the rail because of mechanism has hook system.
- It offers an aesthetic and stylish appearance thanks to its special anthracite paint.
- System is working silent and long life working because of high quality ball bearings.
- It consists of 2 units as internal door and external door.
- With its front-running design, it is suitable for floor-to-ceiling cabinet construction.



Daha fazla bilgi için QR kodu okutunuz.
Scan the QR code for more information.



60 KG SLIDING WARDROBE SYSTEM



TopSlide 8400

- Top hanger and adjustable sliding wardrobe system.
- Suitable for wood panel doors.
- Able to use 2 / 3 / 4 door.
- Maximum carrying capacity is 60 kg per door.
- Able to use door thickness 16-25 mm
- Carrier mechanism body is made of sheet material.
- Recommended for use with maximum height of 2600 mm
- Doors can be adjusted vertically ± 4 mm
- Able to use soft closer M17 6710 and M17 6666 as optional for one way.
- Soft closer air or oil piston system alternatives are available.
- Carrier mechanism is wheel type oval model.
- Profiles and mechanism are shipping in separate packages.
- In case of lot orders, it can be optionally shipping with Setbox Packaging.

- You can follow installation 3D videos of our products on www.albaturas.com
- Door can not go out from the rail because of mechanism has hook system.
- It offers an aesthetic and stylish appearance thanks to its special anthracite paint.
- System is working silent and long life working because of high quality ball bearings.
- It consists of 2 units for internal and external door.
- With its front-running design, it is suitable for floor-to-ceiling cabinet construction.



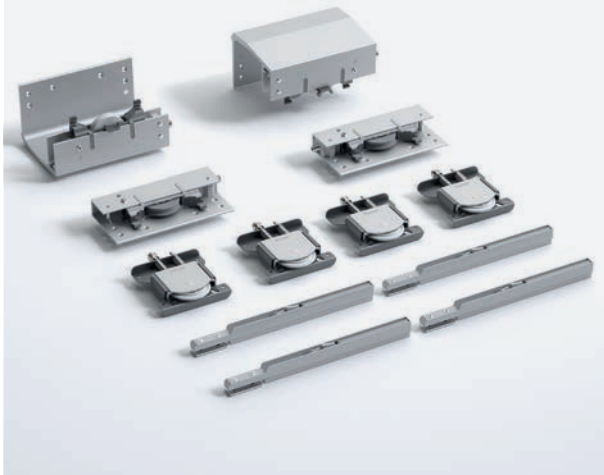
Daha fazla bilgi için QR kodu okutunuz.
Scan the QR code for more information.



100 KG SLIDING WARDROBE SYSTEM



TopSlide 8320



- Top hanger and adjustable sliding wardrobe system.
- Suitable for wood panel doors.
- Able to use 2 / 3 / 4 door .
- Maximum carrying capacity is 100 kg per door.
- Able to use door thickness 16 - 18 mm
- Carrier mechanism body is made of aluminum material.
- Recommended for use with maximum height of 2600 mm
- Doors can be adjusted vertically ± 4 mm
- System has soft closing opening and closing way within rail brake system feature.
- 4 pcs soft closing mechanism inside the upper rail.
- Oil Soft Closer system.
- In 3-door applications, braking can be done optionally on the right, left and middle.
- Lower mechanism is Beta type. (female wheel)

- Profiles and mechanisms are shipping in separate packages.
- In case of lot orders, it can be optionally shipping with Setbox Packaging.
- You can follow installation 3D videos of our products on www.albaturas.com
- Door can not go out from the rail because of mechanism has hook system.
- It offers an aesthetic and stylish appearance thanks to its special anthracite paint.
- System is working silent and long life working because of high quality ball bearings.
- 5 different version available for different thicknesses between 18-50 mm
- It consists of 2 units as internal door and external door.



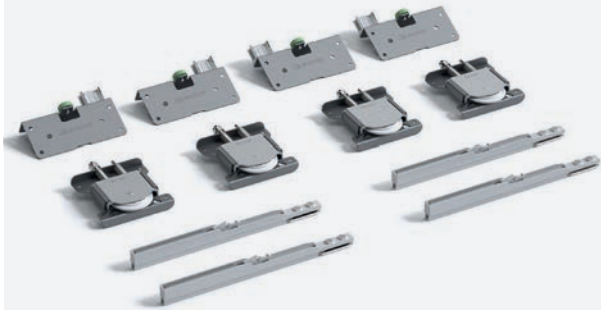
Daha fazla bilgi için QR kodu okutunuz.
Scan the QR code for more information.



60 KG SLIDING DOOR SYSTEM



Multiline SRG 100



- Internal sliding bottom door system with bottom carrier.
- Able to use wooden and aluminium glass frames doors.
- Able to use 2 / 3 / 4 door .
- Maximum carrying capacity is 60 kg per door.
- Able to use door thickness 18 - 22 mm
- Carrier mechanism body is made of sheet material.
- Recommended for use with maximum height of 2600 mm
- Doors can be adjusted vertically ± 4 mm
- With the brake system inside the rail, system has soft closing opening and closing way.
- 4 pcs soft closing mechanism inside the upper rail.
- System is working with Oil soft closer system.
- Lower mechanism is Gama type. (male wheel)

- Profiles and mechanism are shipping in separate packages.
- In case of lot orders, it can be optionally shipping with Setbox Packaging.
- You can follow installation 3D videos of our products on www.albaturas.com
- It offers an aesthetic and stylish appearance thanks to its special anthracite paint.
- Due to the lock system on the upper guide, the covers are prevented from coming off.
- System is working silent and long life working because of high quality ball bearings.
- Upper sliders guides has ball bearing with tpu enjection.
- Can be applied to all doors with soft closing in both directions in 3 door applications.
- With the special designed aluminium frames for the products , can be used 10 mm wood panel or 4-6 mm glass application.
- It is suitable for glass or mirror application on the door depending on the carrying capacity.



Daha fazla bilgi için QR kodu okutunuz.
Scan the QR code for more information.



70 KG SLIDING DOOR SYSTEM



Multiline SRG 300

- Internal sliding bottom door system with bottom carrier.
- Able to use wooden and aluminium glass frames doors.
- Able to use 2 / 3 / 4 door.
- Maximum carrying capacity is 70 kg per door.
- Able to use door thickness 18 - 22 mm
- Carrier mechanism body is made of zinc material.
- Recommended for use with maximum height of 2600 mm
- Doors can be adjusted vertically ± 4 mm
- With the brake system inside the rail, system has soft closing opening and closing way.
- 4 pcs soft closing mechanism inside the upper rail.
- System is working with Oil soft closer system.
- Lower mechanism is Gama type. (male wheel)

- Profiles and mechanism are shipping in separate packages.
- In case of lot orders, it can be optionally shipping with Setbox Packaging.
- You can follow installation 3D videos of our products on www.albaturas.com
- It offers an aesthetic and stylish appearance thanks to its special anthracite paint.
- Due to adjustable upper guide, doors doesn't jump to up direction.
- System is working silent and long life working because of high quality ball bearings.
- Upper sliders guides has ball bearing with tpu enjection.
- Can be applied to all doors with soft closing in both directions in 3 door applications.
- With the special designed aluminium frames for the products, can be used 10 mm wood panel or 4-6 mm glass application.
- It is suitable for glass or mirror application on the door depending on the carrying capacity.
- It moves more quietly and comfortably due to its zamak casting body and large wheels.



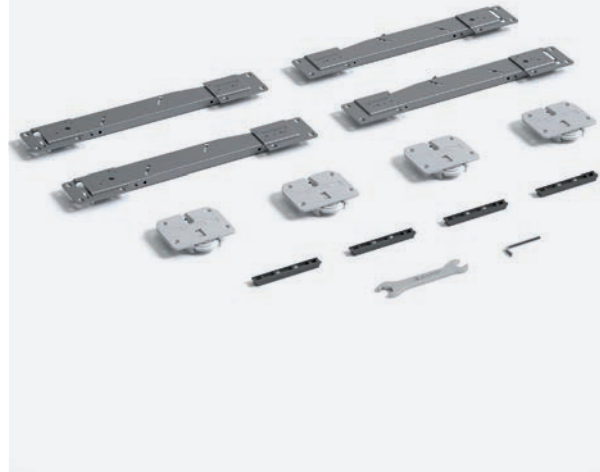
Daha fazla bilgi için QR kodu okutunuz.
Scan the QR code for more information.



50 KG SLIDING DOOR SYSTEM



Multiline 1



- Internal sliding bottom door system with bottom carrier.
- Able to use wooden doors.
- Able to use 2 / 3 / 4 door .
- Maximum carrying capacity is 50 kg per door.
- Able to use door thickness 16 - 22 mm
- Soft closer mechanism body is made of sheet material.
- Recommended for use with maximum height of 2600 mm
- Minimum door width is 680 mm
- Doors can be adjusted vertically ± 4 mm
- Has an integrated mechanism and soft closer system in a single body.
- Activator is hidden by mounting in the rail.
- System is working with Oil soft closer system.
- Lower mechanism is Gama type. (male wheel)
- Profiles and mechanism are shipping in separate packages.

- In case of lot orders, it can be optionally shipping with Setbox Packaging.
- You can follow installation 3D videos of our products on www.albaturas.com
- It offers an aesthetic and stylish appearance thanks to its special anthracite paint.
- System is working silent and long life working because of high quality ball bearings.
- Can be applied to all doors with soft closing in both directions in 3 door applications.
- It is suitable for glass or mirror application on the door depending on the carrying capacity.
- It has different rail profile alternatives as well as the choice of recessed lower and upper rail profile.



Daha fazla bilgi için QR kodu okutunuz.
Scan the QR code for more information.



50 KG SLIDING DOOR SYSTEM



Multiline 7

- Internal sliding bottom door system with bottom carrier.
- Able to use wooden doors.
- Able to use 2 / 3 / 4 door.
- Maximum carrying capacity is 50 kg per door.
- Able to use door thickness 18 - 30 mm
- Soft closer mechanism body is made of sheet material.
- Recommended for use with maximum height of 2600 mm
- Minimum door width is 680 mm
- Doors can be adjusted vertically ± 4 mm
- Has an integrated mechanism and soft closer system in a single body.
- System is working with Oil soft closer system.
- Lower mechanism is Gama type. (male wheel)
- Profiles and mechanism are shipping in separate packages.

- In case of lot orders, it can be optionally shipping with Setbox Packaging.
- You can follow installation 3D videos of our products on www.albaturas.com
- It offers an aesthetic and stylish appearance thanks to its special anthracite paint.
- System is working silent and long life working because of high quality ball bearings.
- Can be applied to all doors with soft closing in both directions in 3 door applications.
- It is suitable for glass or mirror application on the door depending on the carrying capacity.
- It has different rail profile alternatives as well as the choice of recessed lower and upper rail profile.



Daha fazla bilgi için QR kodu okutunuz.
Scan the QR code for more information.



50 KG SLIDING DOOR SYSTEM



Multiline 4

- Internal sliding bottom door system with bottom carrier.
- Able to use wooden doors.
- Able to use 2 / 3 / 4 door.
- Maximum carrying capacity is 50 kg per door.
- Able to use door thickness 16 - 30 mm
- Carrier mechanism body is made of sheet material.
- Recommended for use with maximum height of 2600 mm
- Minimum door width is 680 mm
- Doors can be adjusted vertically ± 4 mm
- System has soft closing opening and closing way within rail brake system feature.
- Soft closer fixing inside the rail.
- System is working with Oil soft closer system.
- Lower mechanism is Gama type. (male wheel)
- Profiles and mechanism are shipping in separate packages

- In case of lot orders, it can be optionally shipping with Setbox Packaging.
- You can follow installation 3D videos of our products on www.albaturas.com
- It offers an aesthetic and stylish appearance thanks to its special anthracite paint.
- System is working silent and long life working because of high quality ball bearings.
- Can be applied to all doors with soft closing in both directions in 3 door applications.
- It is suitable for glass or mirror application on the door depending on the carrying capacity.
- It has different rail profile alternatives as well as the choice of recessed lower and upper rail profile.



Daha fazla bilgi için QR kodu okutunuz.
Scan the QR code for more information.



50 KG SLIDING DOOR SYSTEM



Multiline 8

- Internal sliding bottom door system with bottom carrier.
- Able to use wooden doors.
- Able to use 2 / 3 / 4 door .
- Maximum carrying capacity is 50 kg per door.
- Able to use door thickness 16 - 30 mm
- Carrier mechanism body is made of sheet material.
- Recommended for use with maximum height of 2600 mm
- Minimum door width is 680 mm
- Doors can be adjusted vertically ± 4 mm
- System has soft closing opening and closing way within rail brake system feature.
- Soft closer fixing inside the rail.
- System is working with Oil soft closer system.
- Lower mechanism is Gama type. (male wheel)
- Profiles and mechanism are shipping in separate packages.

- In case of lot orders, it can be optionally shipping with Setbox Packaging.
- You can follow installation 3D videos of our products on www.albaturas.com
- It offers an aesthetic and stylish appearance thanks to its special anthracite paint.
- System is working silent and long life working because of high quality ball bearings.
- Can be applied to all doors with soft closing in both directions in 3 door applications.
- It is suitable for glass or mirror application on the door depending on the carrying capacity.
- It has different rail profile alternatives as well as the choice of recessed lower and upper rail profile.



Daha fazla bilgi için QR kodu okutunuz.
Scan the QR code for more information.



50 KG SLIDING DOOR SYSTEM



Multiline 10

- Internal sliding bottom door system with bottom carrier.
- Able to use wooden doors.
- Able to use 2 / 3 / 4 door.
- Maximum carrying capacity is 50 kg per door.
- Able to use door thickness 16 - 22 mm
- Carrier mechanism body is made of sheet material.
- Recommended for use with maximum height of 2600 mm
- Minimum door width is 400 mm
- Doors can be adjusted vertically ± 4 mm
- System has soft closing opening and closing way within rail brake system feature.
- Soft closer fixing inside the rail.
- System is working with Oil soft closer system.
- Lower mechanism is Gama type. (male wheel)

- Profiles and mechanism are shipping in separate packages.
- In case of lot orders, it can be optionally shipping with Setbox Packaging.
- You can follow installation 3D videos of our products on www.albaturas.com
- It offers an aesthetic and stylish appearance thanks to its special anthracite paint.
- System is working silent and long life working because of high quality ball bearings.
- It is suitable for glass or mirror application on the door depending on the carrying capacity.
- It has different rail profile alternatives as well as the choice of recessed lower and upper rail profile.



Daha fazla bilgi için QR kodu okutunuz.
Scan the QR code for more information.



50 KG SLIDING DOOR SYSTEM



Multiline 11

- Internal sliding bottom door system with bottom carrier.
- Able to use wooden doors.
- Able to use 2 / 3 / 4 door.
- Maximum carrying capacity is 50 kg per door.
- Able to use door thickness 16 - 22 mm
- Carrier mechanism body is made of sheet material.
- Recommended for use with maximum height of 2600 mm
- Minimum door width is 450 mm
- Doors can be adjusted vertically ± 4 mm
- System has soft closing opening and closing way within rail brake system feature.
- Soft closer fixing inside the rail.
- System is working with Oil soft closer system.
- Lower mechanism is Gama type. (male wheel)

- Profiles and mechanism are shipping in separate packages.
- In case of lot orders, it can be optionally shipping with Setbox Packaging.
- You can follow installation 3D videos of our products on www.albaturas.com
- It offers an aesthetic and stylish appearance thanks to its special anthracite paint.
- System is working silent and long life working because of high quality ball bearings.
- It is suitable for glass or mirror application on the door depending on the carrying capacity.
- It has different rail profile alternatives as well as the choice of recessed lower and upper rail profile.



Daha fazla bilgi için QR kodu okutunuz.
Scan the QR code for more information.



50 KG SLIDING DOOR SYSTEM



Multiline 12

- Internal sliding bottom door system with bottom carrier.
- Able to use wooden doors.
- Able to use 2 / 3 / 4 door.
- Maximum carrying capacity is 50 kg per door.
- Able to use door thickness 16 - 22 mm
- Carrier mechanism body is made of sheet material.
- Recommended for use with maximum height of 2600 mm
- Minimum door width is 400 mm
- Doors can be adjusted vertically ± 4 mm
- System has soft closing opening and closing way within rail brake system feature.
- Soft closer fixing inside the rail.
- System is working with Oil soft closer system.
- Lower mechanism is Gama type. (male wheel)

- Profiles and mechanism are shipping in separate packages.
- In case of lot orders, it can be optionally shipping with Setbox Packaging.
- You can follow installation 3D videos of our products on www.albaturas.com
- It offers an aesthetic and stylish appearance thanks to its special anthracite paint.
- System is working silent and long life working because of high quality ball bearings.
- Can be applied to all doors with soft closing in both directions in 3 door applications.
- It is suitable for glass or mirror application on the door depending on the carrying capacity.
- It has different rail profile alternatives as well as the choice of recessed lower and upper rail profile.



Daha fazla bilgi için QR kodu okutunuz.
Scan the QR code for more information.



50 KG SLIDING DOOR SYSTEM



Multiline 13

- Internal sliding bottom door system with bottom carrier.
- Able to use wooden doors.
- Able to use 2 / 3 / 4 door.
- Maximum carrying capacity is 50 kg per door.
- Able to use door thickness 16 - 22 mm
- Carrier mechanism body is made of sheet material.
- Recommended for use with maximum height of 2600 mm
- Minimum door width is 450 mm
- Doors can be adjusted vertically ± 4 mm
- System has soft closing opening and closing way within rail brake system feature.
- Soft closer fixing inside the rail.
- System is working with Oil soft closer system.
- Lower mechanism is Gama type. (male wheel)

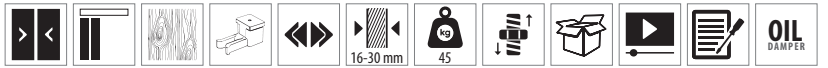
- Profiles and mechanism are shipping in separate packages.
- In case of lot orders, it can be optionally shipping with Setbox Packaging.
- You can follow installation 3D videos of our products on www.albaturas.com
- It offers an aesthetic and stylish appearance thanks to its special anthracite paint.
- System is working silent and long life working because of high quality ball bearings.
- Can be applied to all doors with soft closing in both directions in 3 door applications.
- It is suitable for glass or mirror application on the door depending on the carrying capacity.
- It has different rail profile alternatives as well as the choice of recessed lower and upper rail profile.



Daha fazla bilgi için QR kodu okutunuz.
Scan the QR code for more information.



45 KG SLIDING DOOR SYSTEM



Multiline 9

- Top hanger and adjustable sliding wardrobe system.
- Can be apply to wooden panel doors and aluminium glass doors.
- Able to use 2 / 3 / 4 door.
- Maximum carrying capacity is 45 kg per door.
- Able to use door thickness 16 - 30 mm
- Carrier mechanism body is made of sheet material.
- Minimum door size 400 mm recommended.
- Recommended for use with maximum height of 2000 mm
- Doors can be adjustable for height ± 4 mm
- Due to the in-rail soft system, it has soft closing feature in the opening and closing directions in 2-3-4 door applications.
- Soft closer fixing inside the rail.
- Profiles and mechanism are shipping in separate packages.
- In case of lot orders, it can be optionally shipping with Setbox Packaging.
- System is working silent and long life working because of high quality ball bearings.



Daha fazla bilgi için QR kodu okutunuz.
Scan the QR code for more information.



30 KG SLIDING DOOR SYSTEM



Multiline 14

- Sliding wardrobe system working style from external and with bottom carrier slider.
- Carrier rail is presented separately according to 18 mm and 25 mm Mdf frame types.
- Can be apply to wooden and aluminium glass doors.
- With separate rail systematic can be apply many times as desired for single doors.
- Due to the rail slider locks on the wheel, a safe progres is provided without the cover coming out.
- Maximum carrying capacity is 30 kg per door.
- Able to use door thickness 16 - 30 mm
- Carrier mechanism body is made of sheet material.
- Recommended for use with maximum height of 2000 mm
- Minimum door size 400 mm recommended.
- Doors can be adjustable for height ± 4 mm
- System has 2 type of soft closer , Plastic soft closer and Metal soft closer.
- System has soft closing opening and closing direction.
- Lower mechanism is Gama type. (male wheel)
- Carrier rails available for double door system and single door system.
- Profiles and mechanism are shipping in separate packages.
- In case of lot orders, it can be optionally shipping with Setbox Packaging.
- System is working silent and long life working because of high quality ball bearings.



Daha fazla bilgi için QR kodu okutunuz.
Scan the QR code for more information.



50 KG SLIDING DOOR SYSTEM



Multiline 15

- Internal sliding bottom door system with bottom carrier.
- Able to use wooden and aluminium glass frames doors.
- Able to use 2 / 3 / 4 door.
- Maximum carrying capacity is 50 kg per door.
- Able to use door thickness 18 - 22 mm
- Carrier mechanism body is made of zinc material.
- Recommended for use with maximum height of 2600 mm
- Doors can be adjusted vertically ± 4 mm
- With the brake system inside the rail, system has soft closing opening and closing way.
- 4 pcs soft closing mechanism inside the upper rail.
- System is working with Oil soft closer system.
- Lower mechanism is Gama type. (male wheel)

- Profiles and mechanism are shipping in separate packages.
- In case of lot orders, it can be optionally shipping with Setbox Packaging.
- You can follow installation 3D videos of our products on www.albaturas.com
- It offers an aesthetic and stylish appearance thanks to its special anthracite paint.
- Due to adjustable upper guide, doors doesn't jump to up direction.
- System is working silent and long life working because of high quality ball bearings.
- Upper sliders guides has ball bearing with tpu enjection.
- Can be applied to all doors with soft closing in both directions in 3 door applications.
- With the special designed aluminium frames for the products, can be used 10 mm wood panel or 4-6 mm glass application.
- It is suitable for glass or mirror application on the door depending on the carrying capacity.
- It moves more quietly and comfortably due to its zamak casting body and large wheels.



Daha fazla bilgi için QR kodu okutunuz.
Scan the QR code for more information.



70 KG SLIDING DOOR SYSTEM



Multiline SRG 110

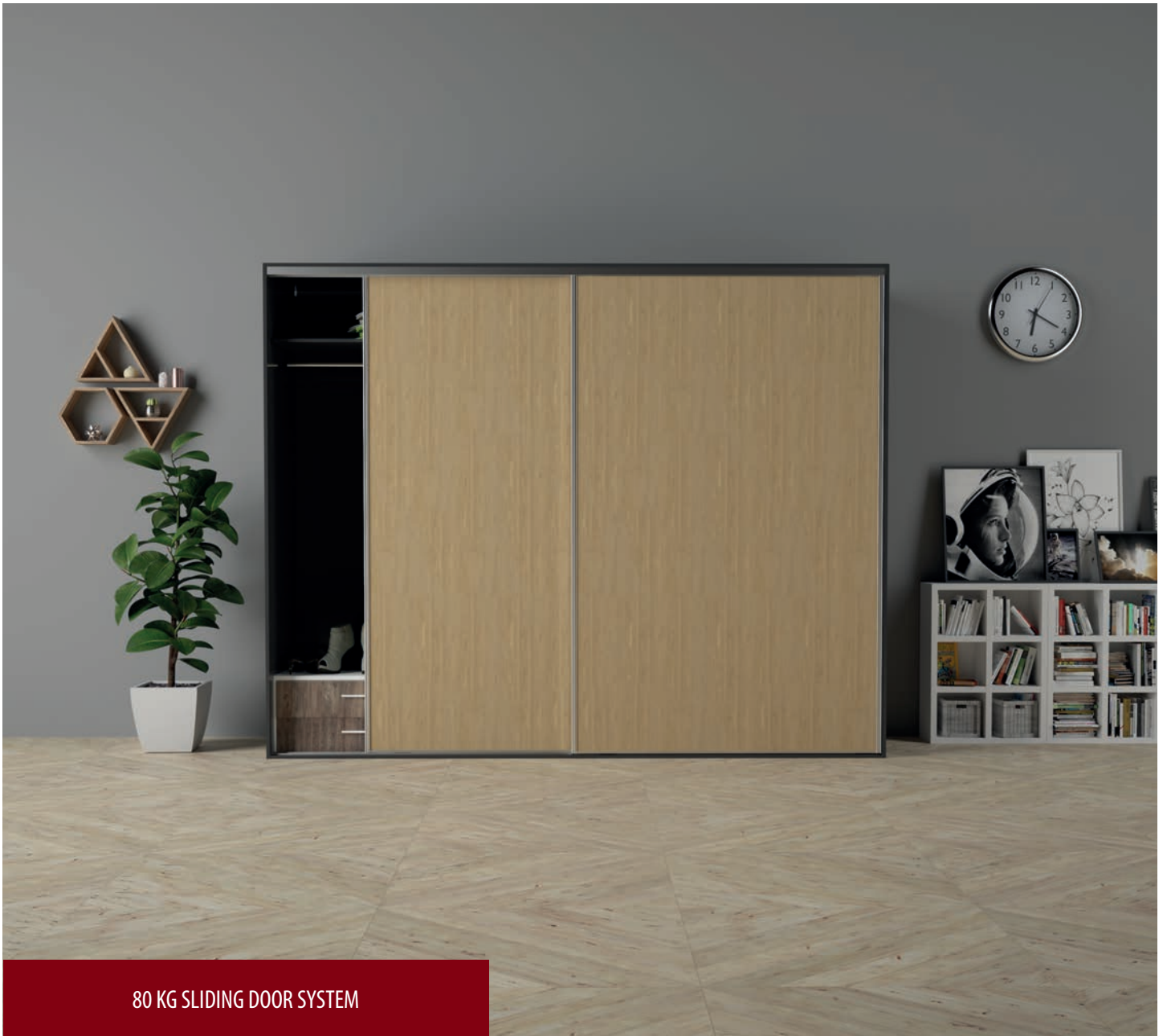


- Internal sliding bottom door system with bottom carrier.
- Able to use wooden and aluminium glass frames doors.
- Able to use 2 / 3 / 4 door .
- Maximum carrying capacity is 70 kg per door.
- Able to use door thickness 18 - 20 mm
- Carrier mechanism body is made of sheet material.
- Recommended for use with maximum height of 2600 mm
- Doors can be adjusted vertically ± 4 mm
- With the brake system inside the rail, system has soft closing opening and closing way.
- 4 pcs soft closing mechanism inside the upper rail.
- System is working with Air soft closer system
- Lower mechanism is Gama type (male wheel)
- Profiles and mechanism are shipping in separate packages

- In case of lot orders, it can be optionally shipping with Setbox Packaging.
- You can follow installation 3D videos of our products on www.albaturas.com
- It offers an aesthetic and stylish appearance thanks to its special anthracite paint.
- System is working silent and long life working because of high quality ball bearings.
- Upper sliders guides has ball bearing with tpu enjection.
- Can be applied to all doors with soft closing in both directions in 3 door applications.
- With the special designed aluminium frames for the products , can be used 10 mm wood panel or 4-6 mm glass application.
- It is suitable for glass or mirror application on the door depending on the carrying capacity.
- Removes the gap in the track due to the spring wheel system in the upper guides.



Daha fazla bilgi için QR kodu okutunuz.
Scan the QR code for more information.



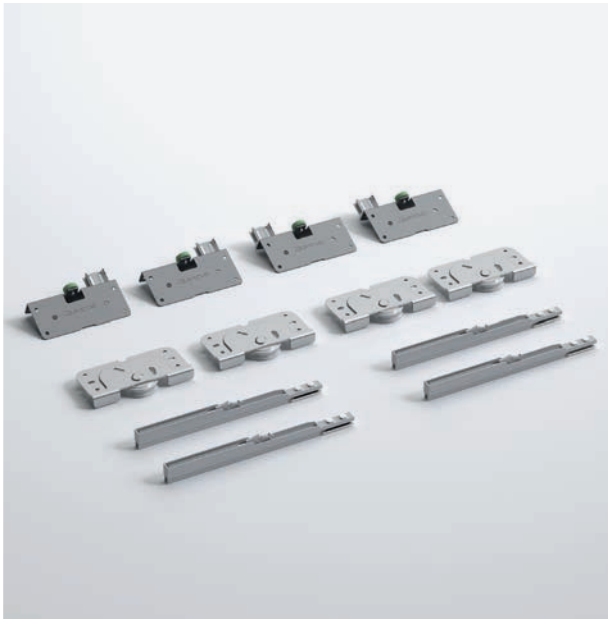
80 KG SLIDING DOOR SYSTEM



Multiline SRG 210

- Internal sliding bottom door system with bottom carrier.
- Able to use wooden and aluminium glass frames doors.
- Able to use 2 / 3 / 4 door.
- Maximum carrying capacity is 80 kg per door.
- Able to use door thickness 18 - 22 mm
- Carrier mechanism body is made of sheet material.
- Recommended for use with maximum height of 2600 mm
- Doors can be adjusted vertically ± 4 mm
- With the brake system inside the rail, system has soft closing opening and closing way.
- 4 pcs soft closing mechanism inside the upper rail.
- System is working with Oil soft closer system.
- Lower mechanism is Gama type. (male wheel)

- Profiles and mechanism are shipping in separate packages.
- In case of lot orders, it can be optionally shipping with Setbox Packaging.
- You can follow installation 3D videos of our products on www.albaturas.com
- It offers an aesthetic and stylish appearance thanks to its special anthracite paint.
- Due to adjustable upper guide, doors doesn't jump to up direction.
- System is working silent and long life working because of high quality ball bearings.
- Upper sliders guides has ball bearing with tpu enjection.
- Can be applied to all doors with soft closing in both directions in 3 door applications.
- With the special designed aluminium frames for the products, can be used 10 mm wood panel or 4-6 mm glass application.
- It is suitable for glass or mirror application on the door depending on the carrying capacity.



Daha fazla bilgi için QR kodu okutunuz.
Scan the QR code for more information.



60 KG SLIDING DOOR SYSTEM



Multiline SRG 135

- Internal sliding bottom door system with bottom carrier.
- Suitable for wood panel doors.
- Able to use 2 / 3 / 4 door.
- Maximum carrying capacity is 60 kg per door.
- Able to use door thickness 18 - 22 mm
- Carrier mechanism body is made of sheet material.
- Recommended for use with maximum height of 2600 mm
- Doors can be adjusted vertically ± 4 mm
- With the brake system inside the rail, system has soft closing opening and closing way.
- 4 pcs soft closing mechanism inside the upper rail.
- System is working with Oil soft closer system.
- Lower mechanism is Gama type. (male wheel)

- Profiles and mechanism are shipping in separate packages.
- In case of lot orders, it can be optionally shipping with Setbox Packaging.
- You can follow installation 3D videos of our products on www.albaturas.com
- It offers an aesthetic and stylish appearance thanks to its special anthracite paint.
- System is working silent and long life working because of high quality ball bearings.
- Upper sliders guides has ball bearing with tpu enjection.
- Can be applied to all doors with soft closing in both directions in 3 door applications.
- It is suitable for glass or mirror application on the door depending on the carrying capacity.



Daha fazla bilgi için QR kodu okutunuz.
Scan the QR code for more information.



75 KG SLIDING DOOR SYSTEM



Multiline 7031



- Internal sliding bottom door system with bottom carrier.
- Suitable for wood panel doors.
- Able to use 2 / 3 / 4 door.
- Maximum carrying capacity is 75 kg per door.
- Able to use door thickness 18 - 30 mm with different type of tracks.
- Carrier mechanism body is made of sheet material.
- Recommended for use with maximum height of 2600 mm
- Doors can be adjusted vertically ± 4 mm
- Able to use soft closer Softline 117-6710 and 117-6666 as optional for one way.
- Lower mechanism is Gama type. (male wheel)
- Profiles and mechanism are shipping in separate packages.
- In case of lot orders, it can be optionally shipping with Setbox Packaging.

- You can follow installation 3D videos of our products on www.albaturas.com
- It offers an aesthetic and stylish appearance thanks to its special anthracite paint.
- System is working silent and long life working because of high quality ball bearings.
- It is suitable for glass or mirror application on the door depending on the carrying capacity.



Daha fazla bilgi için QR kodu okutunuz.
Scan the QR code for more information.



40 KG SLIDING DOOR SYSTEM



Multiline 6000

- Internal sliding bottom door system with bottom carrier.
- Suitable on wood panel and aluminum doors.
- Able to use 2 / 3 / 4 door.
- Maximum carrying capacity is 40 kg per door.
- Able to use door thickness 18 mm with different type of tracks.
- Carrier mechanism body is made of plastic material.
- Recommended for use with maximum height of 2100 mm
- Doors can be adjusted vertically ± 4 mm
- Able to use soft closer Softline 117-6710 and 117-6666 as optional for one way.
- Soft closers are optional.
- Lower mechanism is Beta type. (female wheel)
- Profiles and mechanism are shipping in separate packages.
- In case of lot orders, it can be optionally shipping with Setbox Packaging.

- You can follow installation 3D videos of our products on www.albaturas.com
- The guide is inserted into the rail its avoid the mechanism from coming off the rail.
- Producing standard black colour
- System is working silent and long life working because of high quality ball bearings.
- Upper guides are made of plastic material
- It is suitable for glass or mirror application on the door depending on the carrying capacity.



Daha fazla bilgi için QR kodu okutunuz.
Scan the QR code for more information.



20 KG SLIDING DOOR SYSTEM



Multiline 5



- Internal sliding bottom door system with bottom carrier.
- Able to use wooden doors.
- Able to use 2 / 3 / 4 door.
- Maximum carrying capacity is 20 kg per door.
- Able to use door thickness 18 - 25 mm
- Carrier mechanism body is made of sheet material.
- Recommended for use with maximum height of 2600 mm
- Minimum door width is 680 mm
- Doors can be adjusted vertically ± 4 mm
- System has soft closing opening and closing way within rail brake system feature.
- Soft closer fixing inside the rail.
- System is working with Oil soft closer system.
- Lower mechanism is Gama type. (male wheel)
- Profiles and mechanism are shipping in separate packages.

- In case of lot orders, it can be optionally shipping with Setbox Packaging.
- You can follow installation 3D videos of our products on www.albaturas.com
- It offers an aesthetic and stylish appearance thanks to its special anthracite paint.
- System is working silent and long life working because of high quality ball bearings.
- Can be applied to all doors with soft closing in both directions in 3 door applications.
- It is suitable for glass or mirror application on the door depending on the carrying capacity.
- It has different rail profile alternatives as well as the choice of recessed lower and upper rail profile.



Daha fazla bilgi için QR kodu okutunuz.
Scan the QR code for more information.



40 KG SLIDING SYSTEM FOR FOLDING DOORS



WingSlide 7420

- Designed for top hanger foldable wardrobe sliding doors.
- Able to use wooden and aluminium glass frames doors.
- Able to use 2 or 4 foldable doors.
- Maximum carrying capacity is 40 kg per door.
- Able to use door thickness 18 mm
- Door height < 240 cm recommended.
- Maximum door width 60 cm recommended.
- Has height adjustable mechanism.
- For folding door systems, you can choose a soft closing hinge.
- Profiles and mechanism are shipping in separate packages.
- You can follow installation 3D videos of our products on www.albaturas.com
- Top mechanism body has 4 ball bearing with one hinge.
- Recommended additional hinge over the 2 meter door.
- System is working silent and long life working because of high quality ball bearings.
- Plastic hinges using in doors connections.



Daha fazla bilgi için QR kodu okutunuz.
Scan the QR code for more information.



40 KG SLIDING SYSTEM FOR FOLDING DOORS



WingSlide 7440

- Designed for top hanger foldable wardrobe sliding doors.
- Able to use wooden and aluminium glass frames doors.
- Able to use 2 or 4 foldable doors.
- Maximum carrying capacity is 40 kg per door.
- Able to use door thickness 18 mm
- Door height <240 cm recommended.
- Maximum door width 60 cm recommended.
- Has height adjustable mechanism.
- For folding door systems, you can choose a soft closing hinge.
- Profiles and mechanism are shipping in separate packages.
- You can follow installation 3D videos of our products on www.albaturas.com
- Top mechanism body has 4 ball bearing with double hinge.
- Recommended additional hinge over the 2 meter door.
- System is working silent and long life working because of high quality ball bearings.
- Metal sheet hinges using in doors connections.



Daha fazla bilgi için QR kodu okutunuz.
Scan the QR code for more information.



20 KG SLIDING GLASS DOOR SYSTEM



Glassline 2

- Sliding glass door system for showcase and display applications.
- Designed for glass application.
- Able to use 2 / 3 / 4 door.
- Maximum carrying capacity is 20 kg per door.
- Suitable 4 mm and 5 mm thickness glass.
- Door height <70 cm recommended.
- Has height adjustable mechanism.
- System has soft closing opening and closing way within rail brake system feature.
- Profiles and mechanism are shipping in separate packages.
- You can follow installation 3D videos of our products on www.albaturas.com
- System is working silent and long life working because of high quality ball bearings.
- System has plastic body lower mechanism.
- System has plastic upper guide.
- Need to make hole on the glass during the assembly.
- Able to use 1m² glass for per door .
- Able to use only bottom guide without track.
- It has aesthetic and usable handle detail.



Daha fazla bilgi için QR kodu okutunuz.
Scan the QR code for more information.



20 KG SLIDING GLASS DOOR SYSTEM



Glassline 7702

- Sliding glass door system for showcase and display applications.
- Designed for glass application.
- Able to use 2 / 3 / 4 door.
- Maximum carrying capacity is 25 kg per door.
- Suitable 4 mm and 6 mm thickness glass.
- Door height <70 cm recommended.
- Has height adjustable mechanism.
- Has plastic stopper in our system.
- Profiles and mechanism are shipping in separate packages.
- You can follow installation 3D videos of our products on www.albaturas.com
- System is working silent and long life working because of high quality ball bearings.
- System has plastic body lower mechanism.
- System has plastic upper guide.
- No need to make hole on the glass during the assembly.
- Able to use 1m² glass for per door.
- Able to use only bottom guide without track.
- It has aesthetic and usable handle detail.



Daha fazla bilgi için QR kodu okutunuz.
Scan the QR code for more information.



50 KG SLIDING PANEL SYSTEM



Rigel 1

- Internal system with bottom carrier sliding cupboard system.
- Glass and wooden panels can be applied inside the aluminum panel.
- Able to use 2 / 3 / 4 door .
- Maximum carrying capacity is 50 kg per door.
- Suitable 4 mm and 8 mm thickness glass.
- Has height adjustable mechanism.
- System has soft closing opening and closing way within rail brake system feature.
- System is working with Oil soft closer system.
- Profiles and mechanism are shipping in separate packages.
- You can follow installation 3D videos of our products on www.albaturas.com
- System is working silent and long life working because of high quality ball bearings.
- Albaturs Corporate Anthracite offers an aesthetic and stylish appearance thanks to its special paint.
- Applied with Rigel Series aluminum rail cabinet profiles.
- Can be applied to all doors with soft closing in both directions in 3 door applications.
- It provides a high quality user experience thanks to its silent operation and deceleration system.
- The activator is hidden by mounting in the rail.



Daha fazla bilgi için QR kodu okutunuz.
Scan the QR code for more information.



45 KG TV UNIT SLIDING DOOR SYSTEM



TvSlide 5100

- It's designed for TV Units with upper and lower carrier.
- Able to use wood panel doors.
- Able to use 2 / 3 / 4 door.
- Maximum carrying capacity is 45 kg per door.
- Able to use door thickness 18 - 30 mm
- Has height adjustable mechanism.
- System has soft closing opening and closing way.
- Profiles and mechanism are shipping in separate packages.
- System is working silent and long life working because of high quality ball bearings.
- Multiple doors can be using on the same rail in accordance with the cabinet size.
- Systems can be assembled by screwing the holes without opening the hole on the cabinet.
- It provides a high quality user experience thanks to its silent operation and deceleration system.
- Lower mechanism is Gama type. (male wheel)
- Bottom and top guides has ball bearing wheel system.



Daha fazla bilgi için QR kodu okutunuz.
Scan the QR code for more information.



60 KG TOP HANGER WOODEN SLIDING DOOR SYSTEM



BarnDoor 8800

- System has modern design for wooden sliding door system.
- Designed for wood and aluminum panel doors.
- Maximum carrying capacity is 60 kg per door.
- Able to use door thickness 32 - 50 mm
- Can be make height adjustable for upper mechanism.
- System has stopper.
- One set special packaging is shipping with as Setbox.
- Production sizes are available 170 cm and 200 cm
- You can follow installation 3D videos of our products on www.albaturas.com
- System rollers are does not come off the rail.
- Producing standard black colour.
- System is working silent and long life working because of high quality ball bearings.
- System is mounted on the wall surface.
- Upper rail profile is aluminium.
- Working style is top hanger function.
- System has optional plastic bottom guides.
- System has plastic bottom guide.
- For specific color and size requests, you can contact with your customer representative.



Daha fazla bilgi için QR kodu okutunuz.
Scan the QR code for more information.



80 KG TOP HANGER WOODEN SLIDING DOOR SYSTEM
TWO WAY SOFT CLOSING



BarnDoor 8820

- System has modern design for wooden sliding door system.
- Designed for wood and aluminum panel doors.
- Maximum carrying capacity is 80 kg per door.
- Able to use door thickness 32 - 50 mm
- For specific color and size requests, you can contact with your customer representative.
- Can be make height adjustable for upper mechanism.
- With the brake system inside the rail, system has soft closing opening and closing way.
- One set special packaging is shipping with as Setbox.
- Production sizes are available 170 cm and 200 cm
- You can follow installation 3D videos of our products on www.albaturas.com
- System rollers are does not come off the rail.
- Producing standard black colour.
- System is working silent and long life working because of high quality ball bearings.
- System is mounted on the wall surface.
- Upper rail profile is aluminium.
- Working style is top hanger function.
- System has optional plastic bottom guides.
- System has plastic bottom guide.
- For specific color and size requests, you can contact with your customer representative.



Daha fazla bilgi için QR kodu okutunuz.
Scan the QR code for more information.



60 KG TOP HANGER GLASS SLIDING DOOR SYSTEM



BarnDoor 8900

- System has modern design for glass sliding door system.
- Designed for glass doors.
- Maximum carrying capacity is 60 kg per door.
- Able to use glass door thickness 8 -12 mm
- Can be make height adjustable for upper mechanism.
- System has stopper .
- One set special packaging is shipping with as Setbox.
- Production sizes are available 170 cm and 200 cm
- You can follow installation 3D videos of our products on www.albaturas.com
- System rollers are does not come off the rail.
- Producing standard mat anodized colour.
- System is working silent and long life working because of high quality ball bearings.
- System is mounted on the wall surface.
- Upper rail profile is aluminium.
- Working style is top hanger function.
- System has optional plastic bottom guides.
- System has plastic bottom guide.
- For specific color and size requests, you can contact with your customer representative.



Daha fazla bilgi için QR kodu okutunuz.
Scan the QR code for more information.



80 KG TOP HANGER GLASS SLIDING DOOR SYSTEM
TWO WAY SOFT CLOSING



BarnDoor 8920

- System has modern design for glass sliding door system.
- Designed for glass doors.
- Maximum carrying capacity is 60 kg per door.
- Able to use glass door thickness 8-12 mm
- For specific color and size requests, you can contact with your customer representative.
- Can be make height adjustable for upper mechanism.
- With the brake system inside the rail, system has soft closing opening and closing way.
- One set special packaging is shipping with as Setbox.
- Production sizes are available 170 cm and 200 cm
- Special lengths of 2.300 - 2.600 - 2.900 - 3.200 - 3.500 mm are produced, and each product can be shortened up to 200 mm.
- You can follow installation 3D videos of our products on www.albaturas.com
- System rollers are does not come off the rail.
- Producing standard black colour.
- System is working silent and long life working because of high quality ball bearings.
- System is mounted on the wall surface.
- Upper rail profile is aluminium.
- Working style is top hanger function.
- System has optional plastic bottom guides.
- System has plastic bottom guide.
- For specific color and size requests, you can contact with your customer representative.



Daha fazla bilgi için QR kodu okutunuz.
Scan the QR code for more information.



51 KG SLIDING DOOR SYSTEM



DoorSlide 7310

- Sliding door system.
- Designed for wood and aluminum panel doors.
- Carrying capacity is 51 kg
- Able to use door thickness 18 - 50 mm
- Has height adjustable mechanism.
- System has stopper for stop.
- Profiles and mechanism are shipping in separate packages.
- You can follow installation 3D videos of our products on www.albaturas.com
- System is working silent and long life working because of high quality ball bearings.
- Fixing for the wall surface, system has connection parts.
- Can be make height adjustable for upper mechanism.
- Working style is top hanger function.
- System has optional plastic bottom guides.



Daha fazla bilgi için QR kodu okutunuz.
Scan the QR code for more information.



80 KG SLIDING DOOR SYSTEM HAS BALL BEARING



DoorSlide 7380

- Sliding door system.
- Designed for wood and aluminum panel doors.
- Maximum carrying capacity is 80 kg per door.
- Able to use door thickness 18 - 50 mm
- Has height adjustable mechanism.
- System has stopper and bumper plastic.
- Profiles and mechanism are shipping in separate packages.
- You can follow installation 3D videos of our products on www.albaturas.com
- System is working silent and long life working because of high quality ball bearings.
- Fixing for the wall surface, system has connection parts.
- Can be make height adjustable for upper mechanism.
- Working style is top hanger function.
- System has optional plastic bottom guides.



Daha fazla bilgi için QR kodu okutunuz.
Scan the QR code for more information.



80 KG SLIDING DOOR SYSTEM HAS BALL BEARING



DoorSlide 7099

- Sliding door system.
- Designed for wood and aluminum panel doors.
- Maximum carrying capacity is 80 kg per door.
- Able to use door thickness 18 - 50 mm
- Has height adjustable mechanism.
- System has stopper for stop.
- Profiles and mechanism are shipping in separate packages.
- You can follow installation 3D videos of our products on www.albaturas.com
- System is working silent and long life working because of high quality ball bearings.
- Fixing for the wall surface, system has connection parts.
- Can be make height adjustable for upper mechanism.
- Working style is top hanger function.
- System has optional plastic bottom guides.



Daha fazla bilgi için QR kodu okutunuz.
Scan the QR code for more information.



120 KG SLIDING DOOR SYSTEM



DoorSlide 9700

- Sliding door system.
- Designed for wood and aluminum panel doors.
- Carrying capacity 120 kg per door.
- Able to use door thickness 20 - 60 mm
- Can be make height adjustable for upper mechanism.
- System has stopper.
- Profiles and mechanism are shipping in separate packages.
- You can follow installation 3D videos of our products on www.albaturas.com
- System is working silent and long life working because of high quality ball bearings.
- Fixing for the wall surface, system has connection parts.
- Can be make height adjustable for upper mechanism.
- Working style is top hanger function.
- System has optional plastic bottom guides.
- System has plastic bottom guide.



Daha fazla bilgi için QR kodu okutunuz.
Scan the QR code for more information.



120 KG SLIDING DOOR SYSTEM



DoorSlide 7120

- Sliding door system.
- Designed for wood and aluminum panel doors.
- Carrying capacity is 120 kg
- Able to use door thickness 25 - 50 mm
- Has height adjustable mechanism.
- System has stopper for stop.
- Profiles and mechanism are shipping in separate packages.
- You can follow installation 3D videos of our products on www.albaturas.com
- System is working silent and long life working because of high quality ball bearings.
- Fixing for the wall surface, system has connection parts.
- Can be make height adjustable for upper mechanism.
- Working style is top hanger function.
- System has optional plastic bottom guides.



Daha fazla bilgi için QR kodu okutunuz.
Scan the QR code for more information.



250 KG SLIDING DOOR SYSTEM



DoorSlide 9100

- Sliding door system.
- Designed for wood and aluminum panel doors.
- Carrying capacity 250 kg per door.
- Able to use door thickness 40 - 50 mm
- Can be make height adjustable for upper mechanism.
- System has stopper.
- Profiles and mechanism are shipping in separate packages.
- You can follow installation 3D videos of our products on www.albaturas.com
- System is working silent and long life working because of high quality ball bearings.
- Fixing for the wall surface, system has connection parts.
- Can be make height adjustable for upper mechanism.
- Working style is top hanger function.
- System has optional plastic bottom guides.
- System has plastic bottom guide.
- Through the connection parts inside panel, system provide minimum gap between rail and panel.



Daha fazla bilgi için QR kodu okutunuz.
Scan the QR code for more information.



120 KG SLIDING DOOR SYSTEM
ONE WAY SOFT CLOSING



DoorSlide 9701

- Door Slide 9701 is a sliding door system with soft closer.
- Designed for wooden door.
- Carrying capacity is 120 kg per door.
- Able to use door thickness 20 - 60 mm
- Mechanism body carrier is made of high plastic material.
- Minimum door width should be 500 mm
- Able to adjustment up and down.
- With the brake system inside the rail, system has soft closing opening and closing way.
- System is working with Air soft closer system.
- Profiles and mechanism are shipping in separate packages.
- In case of lot orders, it can be optionally shipping with Setbox Packaging.
- You can follow installation 3D videos of our products on www.albaturas.com
- System is working silent and long life working because of high quality ball bearings.
- Fixing for the wall surface, system has connection parts.
- Through the closing profile mounted on the rail, hides the mechanism details.
- Working style is top hanger function.



Daha fazla bilgi için QR kodu okutunuz.
Scan the QR code for more information.



120 KG SLIDING DOOR SYSTEM
ONE WAY SOFT CLOSING



DoorSlide 9706

- Door Slide 9706 is a sliding door system with soft closer.
- Designed for wooden door.
- Carrying capacity is 120 kg per door.
- Able to use door thickness 30 - 60 mm
- Minimum door width should be 500 mm
- Able to adjustment up and down.
- System has plastic stopper.
- With the brake system inside the rail, system has one way soft closing.
- Profiles and mechanism are shipping in separate packages.
- You can follow installation 3D videos of our products on www.albaturas.com
- System is working silent and long life working because of high quality ball bearings.
- Through the triple wheel system, provide a linear sliding running.
- Working style is top hanger function.
- System has Optional PVC bottom guide.
- System has plastic bottom guide.
- Mechanism and rail profile specially designed for in-wall systems.



Daha fazla bilgi için QR kodu okutunuz.
Scan the QR code for more information.



120 KG SLIDING DOOR SYSTEM TWO WAY SOFT CLOSING



DoorSlide 9720

- Adjustable Sliding Door System with top hanger soft closer.
- Designed for wooden door.
- It can be used in different quantities depending on the rail length.
- Carrying capacity is 120 kg per door.
- Able to use door thickness 20 - 60 mm
- Carrier mechanism body is made of plastic material.
- Recommended for use with maximum height of 2300 mm
- Minimum door width should be 830 mm
- Height adjusted can make on mechanism.
- With the brake system inside the rail, system has soft closing opening and closing way.
- System is working with Air soft closer system.
- Carrier mechanism is wheel type flat model.
- Profiles and mechanism are shipping in separate packages.
- In case of lot orders, it can be optionally shipping with Setbox Packaging.
- You can follow installation 3D videos of our products on www.albaturas.com
- Producing standard gray colour.
- It is suitable for glass or mirror application on the sash depending on the carrying capacity.
- System is working silent and long life working because of high quality ball bearings.
- Fixing for the wall surface, system has connection parts.
- Through the closing profile mounted on the rail, hides the mechanism details.
- Working style is top hanger function.
- It has an integrated mechanism and soft closer system in a single body.



Daha fazla bilgi için QR kodu okutunuz.
Scan the QR code for more information.



120 KG SLIDING DOOR SYSTEM
TWO WAY SOFT CLOSING



DoorSlide 9725

- Adjustable Sliding Door System with top hanger soft closer.
- Designed for wooden door.
- It can be used in different quantities depending on the rail length.
- Carrying capacity is 120 kg per door.
- Able to use door thickness 30 - 60 mm
- Carrier mechanism body is made of plastic material.
- Recommended for use with maximum height of 2300 mm
- Minimum door width should be 830 mm
- Height adjusted can make on mechanism.
- With the brake system inside the rail, system has soft closing opening and closing way.
- System is working with Air soft closer system.
- Carrier mechanism is wheel type flat model.
- Profiles and mechanism are shipping in separate packages.
- In case of lot orders, it can be optionally shipping with Setbox Packaging.
- You can follow installation 3D videos of our products on www.albaturas.com
- Producing standard gray colour.
- It is suitable for glass or mirror application on the sash depending on the carrying capacity.
- System is working silent and long life working because of high quality ball bearings.
- Fixing for the wall surface, system has connection parts.
- Working style is top hanger function.
- It has an integrated mechanism and retarder system in a single body.



Daha fazla bilgi için QR kodu okutunuz.
Scan the QR code for more information.



60 KG SLIDING DOOR SYSTEM
TWO WAY SOFT CLOSING



DoorSlide 9010

- Door Slide 9010 is a sliding door system with soft closer.
- Designed for wooden door.
- Maximum carrying capacity is 60 kg per door.
- Able to use door thickness 25 - 60 mm
- Carrier mechanism body is made of aluminum and zinc material.
- Minimum door width should be 650 mm
- Can be make height adjustable for upper mechanism.
- With the brake system inside the rail, system has soft closing opening and closing way.
- System is working with Oil soft closer system.
- Carrier mechanism is wheel type flat model.
- Profiles and mechanism are shipping in separate packages.
- In case of lot orders, it can be optionally shipping with Setbox Packaging.
- You can follow installation 3D videos of our products on www.albaturas.com
- System is working silent and long life working because of high quality ball bearings.
- Through the triple wheel system, provide a linear sliding running.
- Working style is top hanger function.
- System has Optional PVC bottom guide .
- System has plastic bottom guide.
- Mechanism and rail profile specially designed for in-wall systems.



Daha fazla bilgi için QR kodu okutunuz.
Scan the QR code for more information.



60 KG SLIDING DOOR SYSTEM
TWO WAY SOFT CLOSING



DoorSlide 9015

- Door Slide 9015 is a sliding door system with soft closer.
- Designed for wooden door.
- Maximum carrying capacity is 60 kg per door.
- Able to use door thickness 30 - 60 mm
- Carrier mechanism body is made of aluminum and zinc material.
- Minimum door width should be 650 mm
- Can be make height adjustable for upper mechanism.
- With the brake system inside the rail, system has soft closing opening and closing way.
- System is working with Oil soft closer system.
- Carrier mechanism is wheel type flat model.
- Profiles and mechanism are shipping in separate packages.
- In case of lot orders, it can be optionally shipping with Setbox Packaging.
- You can follow installation 3D videos of our products on www.albaturas.com
- System is working silent and long life working because of high quality ball bearings.
- Through the triple wheel system, provide a linear sliding running.
- Working style is top hanger function.
- System has Optional PVC bottom guide .
- System has plastic bottom guide.
- Mechanism and rail profile specially designed for in-wall systems.



Daha fazla bilgi için QR kodu okutunuz.
Scan the QR code for more information.



120 KG FUNICULAR SLIDING DOOR SYSTEM



DoorSync 9800

- Adjustable Sliding Door System with top hanger soft closer.
- Designed for wooden door.
- System is applied in 2 door.
- Carrying capacity is 120 kg per door.
- Able to use door thickness 20 - 60 mm
- Carrier mechanism body is made of plastic material.
- Recommended for use with maximum height of 2500 mm
- Height adjusted can make on mechanism.
- System has plastic stopper.
- Carrier mechanism is wheel type flat model.
- Profiles and mechanism are shipping in separate packages.
- In case of lot orders, it can be optionally shipping with Setbox Packaging.
- You can follow installation 3D videos of our products on www.albaturas.com
- Producing standard gray colour.
- It is suitable for glass or mirror application on the sash depending on the carrying capacity.
- System is working silent and long life working because of high quality ball bearings.
- Fixing for the wall surface, system has connection parts.
- Working style is top hanger function.



Daha fazla bilgi için QR kodu okutunuz.
Scan the QR code for more information.



120 KG FUNICULAR SLIDING DOOR SYSTEM
HAS SOFT CLOSING



DoorSync 9820

- Adjustable Sliding Door System with top hanger soft closer.
- Designed for wooden door.
- System is applied in 2 door.
- Carrying capacity is 120 kg per door.
- Able to use door thickness 20 - 60 mm
- Carrier mechanism body is made of plastic material.
- Recommended for use with maximum height of 2500 mm
- Recommended minimum door width 830 mm
- Height adjusted can make on mechanism.
- Soft closer works with air piston system.
- System has soft closing opening and closing way within rail brake system feature.
- There is a safety stopper in the system.
- Carrier mechanism is wheel type flat model.
- Profiles and mechanism are shipping in separate packages.
- In case of lot orders, it can be optionally shipping with Setbox Packaging.
- You can follow installation 3D videos of our products on www.albaturas.com
- Producing standard gray colour.
- It is suitable for glass or mirror application on the sash depending on the carrying capacity.
- System is working silent and long life working because of high quality ball bearings.
- Fixing for the wall surface, system has connection parts.
- Working style is top hanger function.



Daha fazla bilgi için QR kodu okutunuz.
Scan the QR code for more information.



80 KG FUNICULAR SLIDING DOOR SYSTEM



DoorSync 9810

- Adjustable Sliding Door System with top hanger soft closer.
- Designed for wooden door.
- System is applied in 2 door.
- Maximum carrying capacity is 80 kg per door.
- Able to use door thickness 20 - 50 mm
- Carrier mechanism body is made of plastic material.
- Recommended for use with maximum height of 2300 mm
- Recommended minimum door width 500 mm
- Height adjusted can make on mechanism.
- System has plastic stopper.
- Carrier mechanism is wheel type flat model.
- Profiles and mechanism are shipping in separate packages.
- In case of lot orders, it can be optionally shipping with Setbox Packaging.
- You can follow installation 3D videos of our products on www.albaturas.com
- Producing standard gray colour.
- It is suitable for glass or mirror application on the sash depending on the carrying capacity.
- System is working silent and long life working because of high quality ball bearings.
- Fixing for the wall surface, system has connection parts.
- Working style is top hanger function.



Daha fazla bilgi için QR kodu okutunuz.
Scan the QR code for more information.



60 KG FUNICULAR SLIDING DOOR SYSTEM
HAS SOFT CLOSING



DoorSync 9830

- Adjustable Sliding Door System with top hanger soft closer.
- Designed for wooden door.
- System is applied in 2 door.
- Maximum carrying capacity is 60 kg per door.
- Able to use door thickness 25 - 60 mm
- Carrier mechanism body is made of aluminum material.
- Recommended for use with maximum height of 2500 mm
- Recommended minimum door width 650 mm
- Height adjusted can make on mechanism.
- Soft closer works with air piston system.
- System has soft closing opening and closing way within rail brake system feature.
- There is a safety stopper in the system.
- Carrier mechanism is wheel type flat model.
- Profiles and mechanism are shipping in separate packages.
- In case of lot orders, it can be optionally shipping with Setbox Packaging.
- You can follow installation 3D videos of our products on www.albaturas.com
- Producing standard gray colour.
- It is suitable for glass or mirror application on the sash depending on the carrying capacity.
- System is working silent and long life working because of high quality ball bearings.
- Fixing for the wall surface, system has connection parts.
- Working style is top hanger function.
- Through the triple wheel system, provide a linear sliding running.



Daha fazla bilgi için QR kodu okutunuz.
Scan the QR code for more information.



40 KG KFOLDABLE DOOR MECHANISM - FOLDING DOOR



MasterFold 42

- Sliding foldable light door system.
- Working style is top hanger function.
- Designed for wooden door.
- Can be application with or without a bottom rail.
- 2+2 doors can park in right and left directions.
- Maximum carrying capacity is 40 kg per door.
- Minimum door thickness should be 25 mm
- System is working silent and long life working because of high quality ball bearings.
- Carrier mechanism body is made of aluminum material.
- Application able to use up to 8 door.
- Height adjusted can make on mechanism.
- Additional hinges may be requested during assembly depending on the application.
- Maximum door width should be 900 mm
- Minimum door width should be 350 mm
- Recommended for use with maximum height of 2400 mm
- It is suitable for glass or mirror application on the sash depending on the carrying capacity.
- Lower mechanism is Beta type. (female wheel)
- Min. door panel thickness should be 25 mm for aluminium doors.



Daha fazla bilgi için QR kodu okutunuz.
Scan the QR code for more information.



40 KG FOLDABLE DOOR MECHANISM - FOLDING DOOR



MasterFold 44

- Sliding foldable light door system .
- Working style is top hanger function.
- Designed for wooden door.
- The doors can move after being folded as double or quadruple.
- 4+4 doors can park in right and left directions.
- Maximum carrying capacity is 40 kg per door.
- Minimum door thickness should be 25 mm
- System is working silent and long life working because of high quality ball bearings.
- Carrier mechanism body is made of aluminum material.
- Application able to use up to 8 door.
- Height adjusted can make on mechanism.
- Additional hinges may be requested during assembly depending on the application.
- Maximum door width should be 900 mm
- Minimum door width should be 350 mm
- Recommended for use with maximum height of 2400 mm
- It is suitable for glass or mirror application on the sash depending on the carrying capacity.
- Lower mechanism is Beta type. (female wheel)
- Min. door panel thickness should be 25 mm for aluminium doors.



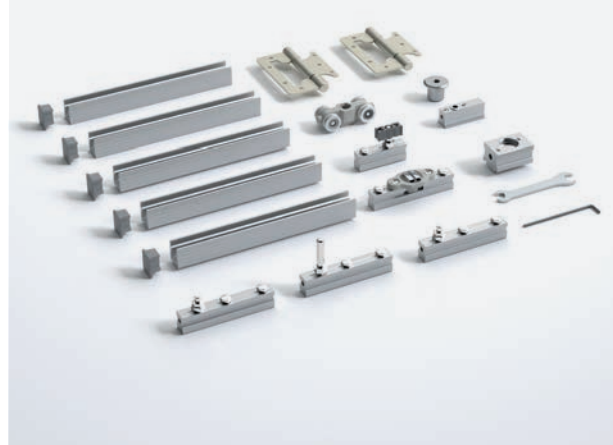
Daha fazla bilgi için QR kodu okutunuz.
Scan the QR code for more information.



60 KG FOLDABLE DOOR MECHANISM - FOLDING DOOR



MasterFold 60



- Top hanger foldable sliding door system.
- Designed for wooden door.
- Application able to use up to 8 door .
- Maximum carrying capacity is 60 kg per door.
- Minimum door thickness should be 36 mm
- Carrier mechanism body is made of aluminum material.
- Recommended for use with maximum height of 2700 mm
- Minimum door width should be 380 mm
- Height cadjusted can make on mechanism.
- There is a safety stopper in the system.
- Lower mechanism is Beta type. (female wheel)
- Profiles and mechanism are shipping in separate packages.
- In case of lot orders, it can be optionally shipping with Setbox Packaging.
- You can follow installation 3D videos of our products on www.albaturas.com
- Producing standard gray colour.
- It is suitable for glass or mirror application on the sash depending on the carrying capacity.

- System is working silent and long life working because of high quality ball bearings.
- Optional grand pivot part should be used under the starting leaf in applications with out bottom rail.
- Optionally, it can be apply without bottom rail.
- Working style is top hanger function.
- It is recommended to use 3 hinges for door with a height more than 2500 mm
- For doors up to 2,100 - 2,500 mm high, 3 hinges should be used per door.
- For doors up to 2,500 - 2,700 mm high, 4 hinges should be used per door.
- Maximum door width should be 900 mm
- Min. door panel thickness should be 25 mm for aluminium doors.



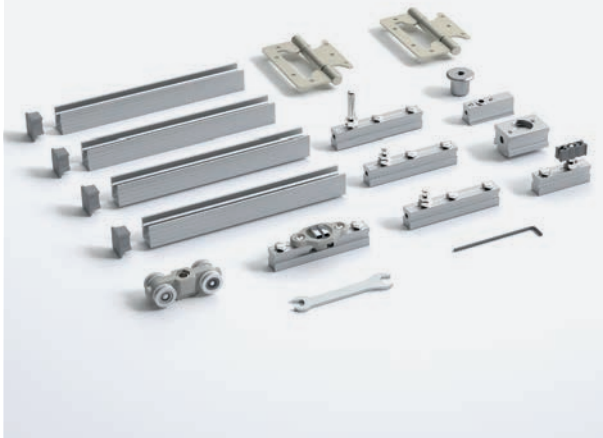
Daha fazla bilgi için QR kodu okutunuz.
Scan the QR code for more information.



60 KG FOLDABLE DOOR MECHANISM - FOLDING DOOR



MidFold 60



- Top hanger foldable pivot sliding door system.
- Designed for wooden door.
- Application able to use up to 8 door.
- Maximum carrying capacity is 60 kg per door.
- Minimum door thickness should be 36 mm
- Carrier mechanism body is made of aluminum material.
- Recommended for use with maximum height of 2700 mm
- Minimum door width should be 380 mm
- Height adjusted can make on mechanism.
- There is a safety stopper in the system.
- Lower mechanism is Beta type. (female wheel)
- Profiles and mechanism are shipping in separate packages.
- In case of lot orders, it can be optionally shipping with Setbox Packaging.
- You can follow installation 3D videos of our products on www.albaturas.com

- Producing standard gray colour.
- It is suitable for glass or mirror application on the sash depending on the carrying capacity.
- System is working silent and long life working because of high quality ball bearings.
- Optional grand pivot part should be used under the starting leaf in applications without bottom rail.
- Optionally, it can be apply without bottom rail.
- Working style is top hanger function.
- It is recommended to use 3 hinges for wings with a height more than 2500 mm
- For doors up to 2,100 - 2,500 mm high, 3 hinges should be used per door.
- For doors up to 2,500 - 2,700 mm high, 4 hinges should be used per door.
- Maximum door width should be 900 mm
- Min. door panel thickness should be 25 mm for aluminium doors.



Daha fazla bilgi için QR kodu okutunuz.
Scan the QR code for more information.



160 KG FOLDABLE DOOR MECHANISM - FOLDING DOOR



MasterFold 160

- Top hanger heavy foldable sliding door system.
- Designed for wooden door.
- Application able to use up to 8 door.
- Carrying capacity 160 kg per door.
- Minimum door thickness should be 40 mm
- Carrier mechanism body is made of aluminum material.
- Recommended for use with maximum height of 2700 mm
- Minimum door width should be 550 mm
- Height adjusted can make on mechanism.
- There is a safety stopper in the system.
- Lower mechanism is Beta type. (female wheel)
- Profiles and mechanism are shipping in separate packages.
- In case of lot orders, it can be optionally shipping with Setbox Packaging.
- You can follow installation 3D videos of our products on www.albaturas.com
- Producing standard gray colour.
- It is suitable for glass or mirror application on the sash depending on the carrying capacity.
- System is working silent and long life working because of high quality ball bearings.
- Optional grand pivot part should be used under the starting leaf in applications without bottom rail.
- Optionally, it can be apply without bottom rail.
- Working style is top hanger function.
- For door with a height of 2500 mm, 2 pieces of 122-9300-1410-507 should be used per door.
- For doors with a height more than 2500 mm, 3 pcs 122-9300-1410-507 should be used per door.
- For doors up to 2,500 - 2,700 mm high, 4 hinges should be used per door.
- Maximum door width should be 950 mm
- Min. door panel thickness should be 25 mm for aluminium doors.



Daha fazla bilgi için QR kodu okutunuz.
Scan the QR code for more information.



160 KG FOLDABLE DOOR MECHANISM - FOLDING DOOR



MidFold 160

- Top hanger heavy foldable pivot sliding door system .
- Designed for wooden door.
- Application able to use up to 8 door .
- Carrying capacity 160 kg per door.
- Minimum door thickness should be 40 mm
- Carrier mechanism body is made of aluminum material.
- Recommended for use with maximum height of 2700 mm
- Minimum door width should be 550 mm
- Height adjusted can make on mechanism.
- There is a safety stopper in the system.
- Lower mechanism is Beta type. (female wheel)
- Profiles and mechanism are shipping in separate packages.
- In case of lot orders, it can be optionally shipping with Setbox Packaging.
- You can follow installation 3D videos of our products on www.albaturas.com
- Producing standard gray colour.

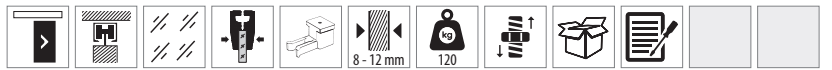
- It is suitable for glass or mirror application on the sash depending on the carrying capacity.
- System is working silent and long life working because of high quality ball bearings.
- Optional grand pivot part should be used under the starting leaf in applications with out bottom rail.
- Optionally, it can be apply without bottom rail.
- Working style is top hanger function.
- For door with a height of 2500 mm, 2 pieces of 122-9300-1410-507 should be used per door.
- For doors with a height more than 2500 mm, 3 pcs 122-9300-1410-507 should be used per door.
- For doors up to 2,500 - 2,700 mm high, 4 hinges should be used per door.
- Maximum door width should be 950 mm
- Min. door panel thickness should be 25 mm for aluminium doors.



Daha fazla bilgi için QR kodu okutunuz.
Scan the QR code for more information.



120 KG SLIDING GLASS DOOR SYSTEM



GlassDoor 9900

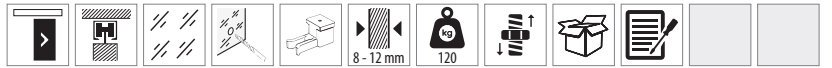
- Sliding door system.
- Designed for glass door.
- Can be apply for single door.
- Carrying capacity is 120 kg per door.
- Able to use glass door thickness 8 -12 mm
- Carrier mechanism body is made of durable plastic material.
- Recommended for use with maximum height of 2300 mm
- System has feature of adjust for the upper mechanism.
- System has stopper.
- Carrier mechanism is wheel type flat model.
- Profiles and mechanism are shipping in separate packages.
- In case of lot orders, it can be optionally shipping with Setbox Packaging.
- You can follow installation 3D videos of our products on www.albaturas.com
- Through the closing profile mounted on the rail, hides the mechanism details.
- Provides easy and practical assembly.
- Due to high quality ball bearing, system provides silent and durable working function.
- Working style is top hanger system.
- System has plastic bottom guide.



Daha fazla bilgi için QR kodu okutunuz.
Scan the QR code for more information.



120 KG SLIDING GLASS DOOR SYSTEM



GlassDoor 9901

- Sliding door system.
- Designed for glass door.
- Can be apply for single door.
- Carrying capacity is 120 kg per door.
- Able to use glass door thickness 8 - 12 mm
- Carrier mechanism body is made of durable plastic material.
- Recommended for use with maximum height of 2300 mm
- Able to adjustment up and down.
- System has stopper.
- Fixing for the wall surface,system has connection parts of rail profile.
- Carrier mechanism is wheel type flat model.
- Profiles and mechanism are shipping in separate packages.
- In case of lot orders, it can be optionally shipping with Setbox Packaging.
- You can follow installation 3D videos of our products on www.albaturas.com
- Through the closing profile mounted on the rail, hides the mechanism details.
- Working style is top hanger system.
- System has plastic bottom guide.
- System is working silent and long life working because of high quality ball bearings.
- This product requires drilling in glass.



Daha fazla bilgi için QR kodu okutunuz.
Scan the QR code for more information.



120 KG ADJUSTABLE GLASS SLIDING DOOR SYSTEM
ONE WAY SOFT CLOSING



GlassDoor 9902

- Sliding door system.
- Designed for glass door.
- Can be apply for single door.
- Carrying capacity is 120 kg per door.
- Able to use glass door thickness 8 -12 mm
- Carrier mechanism body is made of durable plastic material.
- Recommended for use with maximum height of 2300 mm
- Minimum door width should be 600 mm
- Able to adjustment up and down.
- System has stopper.
- Fixing for the wall surface,system has connection parts of rail profile.
- Carrier mechanism is wheel type flat model.
- Profiles and mechanism are shipping in separate packages.
- In case of lot orders, it can be optionally shipping with Setbox Packaging.
- You can follow installation 3D videos of our products on www.albaturas.com
- Through the closing profile mounted on the rail, hides the mechanism details.
- Working style is top hanger system.
- System has plastic bottom guide.
- System is working silent and long life working because of high quality ball bearings.



Daha fazla bilgi için QR kodu okutunuz.
Scan the QR code for more information.



60 KG GLASS SLIDING DOOR SYSTEM
ONE WAY SOFT CLOSING



GlassDoor 9030

- GlassDoor 9030 sliding door system with soft closer.
- Designed for glass door.
- Can be apply for single door.
- Maximum carrying capacity is 60 kg per door.
- Able to use glass door thickness 8 -12 mm
- Carrier mechanism body is made of aluminum and zinc material.
- Recommended for use with maximum height of 2300 mm
- Minimum door width should be 650 mm
- This product requires drilling in glass.
- Can be make height adjustable for upper mechanism.
- With the brake system inside the rail, system has soft closing opening and closing way.
- System is working with Oil soft closer system.
- Carrier mechanism is wheel type flat model.
- Profiles and mechanism are shipping in separate packages.
- In case of lot orders, it can be optionally shipping with Setbox Packaging.
- You can follow installation 3D videos of our products on www.albaturas.com
- System is working silent and long life working because of high quality ball bearings.
- System has plastic bottom guide suitable for different thickness.
- Through the triple wheel system, provide a linear sliding running.
- Working style is top hanger function.
- System has Optional PVC bottom guide.
- System has plastic bottom guide.
- Mechanism and rail profile specially designed for in-wall systems.



Daha fazla bilgi için QR kodu okutunuz.
Scan the QR code for more information.



60 KG SLIDING GLASS DOOR SYSTEM
TWO WAY SOFT CLOSING



GlassDoor 9035

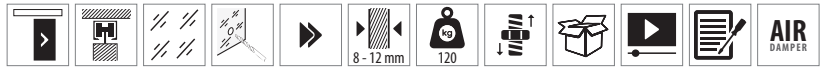
- GlassDoor 9035 sliding door system with soft closer.
- Designed for glass door.
- Can be apply for single door.
- Maximum carrying capacity is 60 kg per door.
- Able to use glass door thickness 8 -12 mm
- Carrier mechanism body is made of aluminum and zinc material.
- Recommended for use with maximum height of 2300 mm
- Minimum door width should be 750 mm
- Can be make height adjustable for upper mechanism.
- With the brake system inside the rail, system has soft closing opening and closing way.
- System is working with Oil soft closer system.
- Carrier mechanism is wheel type flat model.
- Profiles and mechanism are shipping in separate packages.
- In case of lot orders, it can be optionally shipping with Setbox Packaging.
- You can follow installation 3D videos of our products on www.albaturas.com
- System is working silent and long life working because of high quality ball bearings.
- System has plastic bottom guide suitable for different thickness.
- Through the triple wheel system, provide a linear sliding running.
- Working style is top hanger function.
- System has Optional PVC bottom guide.
- System has plastic bottom guide.
- Mechanism and rail profile specially designed for in-wall systems.



Daha fazla bilgi için QR kodu okutunuz.
Scan the QR code for more information.



120 KG GLASS SLIDING DOOR SYSTEM
ONE WAY SOFT CLOSING



GlassDoor 9903

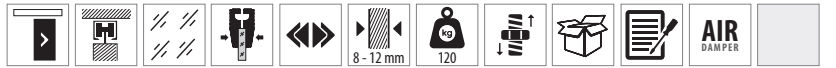
- Designed for glass door.
- Can be apply for single door.
- Carrying capacity is 120 kg per door.
- Able to use glass door thickness 8 -12 mm
- Carrier mechanism body is made of durable plastic material.
- Recommended for use with maximum height of 2300 mm
- Minimum door width should be 600 mm
- Able to adjustment up and down.
- System has stopper .
- Fixing for the wall surface,system has connection parts of rail profile.
- Carrier mechanism is wheel type flat model.
- Profiles and mechanism are shipping in separate packages.
- In case of lot orders, it can be optionally shipping with Setbox Packaging.
- You can follow installation 3D videos of our products on www.albaturas.com
- Through the closing profile mounted on the rail, hides the mechanism details.
- Working style is top hanger system.
- System has plastic bottom guide.
- System is working silent and long life working because of high quality ball bearings.



Daha fazla bilgi için QR kodu okutunuz.
Scan the QR code for more information.



120 KG GLASS SLIDING DOOR SYSTEM
TWO WAY SOFT CLOSING



GlassDoor 9920

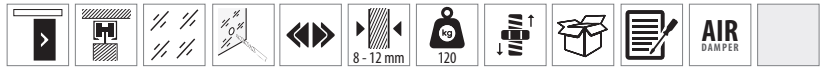
- Sliding door system.
- Designed for glass door.
- Can be apply for single door.
- Carrying capacity is 120 kg per door.
- Able to use glass door thickness 8-12 mm
- Carrier mechanism body is made of durable plastic material.
- Recommended for use with maximum height of 2300 mm
- Minimum door width should be 900 mm
- Able to adjustment up and down.
- With the brake system inside the rail, system has soft closing opening and closing way.
- System is working with Air soft closer system.
- Carrier mechanism is wheel type flat model.
- Profiles and mechanism are shipping in separate packages.
- In case of lot orders, it can be optionally shipping with Setbox Packaging.
- You can follow installation 3D videos of our products on www.albaturas.com
- Due to high quality ball bearing, system provides silent and durable working function.
- Through the closing profile mounted on the rail, hides the mechanism details.
- Working style is top hanger system.
- System has plastic bottom guide.



Daha fazla bilgi için QR kodu okutunuz.
Scan the QR code for more information.



120 KG GLASS SLIDING DOOR SYSTEM
TWO WAY SOFT CLOSING



GlassDoor 9921

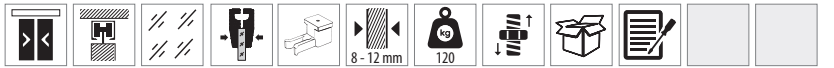
- Sliding door system.
- Designed for glass door.
- Can be apply for single door.
- Carrying capacity is 120 kg per door.
- Able to use glass door thickness 8-12 mm
- This product requires drilling in glass.
- Carrier mechanism body is made of durable plastic material.
- Recommended for use with maximum height of 2300 mm
- Minimum door width should be 870 mm
- Able to adjustment up and down.
- With the brake system inside the rail, system has soft closing opening and closing way.
- System is working with Air soft closer system.
- Carrier mechanism is wheel type flat model.
- Profiles and mechanism are shipping in separate packages.
- In case of lot orders, it can be optionally shipping with Setbox Packaging.
- You can follow installation 3D videos of our products on www.albaturas.com
- Due to high quality ball bearing, system provides silent and durable working function.
- Through the closing profile mounted on the rail, hides the mechanism details.
- Working style is top hanger system.
- System has plastic bottom guide.



Daha fazla bilgi için QR kodu okutunuz.
Scan the QR code for more information.



120 KG FUNICULAR SLIDING GLASS DOOR SYSTEM



DoorSync 9950

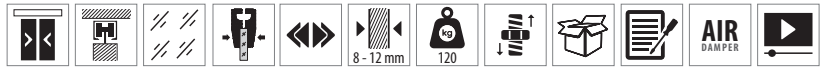
- Double door sliding synchronised system.
- Designed for glass door.
- System is applied in 2 door.
- Carrying capacity is 120 kg per door.
- Able to use glass door thickness 8 -12 mm
- Carrier mechanism body is made of durable plastic material.
- Recommended for use with maximum height of 2300 mm
- Minimum door width should be 400 mm
- Able to adjustment up and down.
- System has stopper.
- Carrier mechanism is wheel type flat model.
- Profiles and mechanism are shipping in separate packages.
- In case of lot orders, it can be optionally shipping with Setbox Packaging.
- You can follow installation 3D videos of our products on www.albaturas.com
- With the Pvc coated special rope , provides synchronized wheels are not be abraded.
- Due to high quality ball bearing, system provides silent and durable working function.
- Through the closing profile mounted on the rail, hides the mechanism details.
- Working style is top hanger system.



Daha fazla bilgi için QR kodu okutunuz.
Scan the QR code for more information.



120 KG FUNICULAR SLIDING GLASS DOOR SYSTEM
HAS SOFT CLOSING



DoorSync 9960

- Double door sliding synchronised system.
- Designed for glass door.
- System is applied in 2 door.
- Carrying capacity is 120 kg per door.
- Able to use glass door thickness 8 -12 mm
- Carrier mechanism body is made of durable plastic material.
- Recommended for use with maximum height of 2300 mm
- Minimum door width should be 900 mm
- Able to adjustment up and down.
- With the brake system inside the rail, system has soft closing opening and closing way.
- System is working with Air soft closer system.
- Carrier mechanism is wheel type flat model.
- Profiles and mechanism are shipping in separate packages.
- In case of lot orders, it can be optionally shipping with Setbox Packaging.
- You can follow installation 3D videos of our products on www.albaturas.com
- With the Pvc coated special rope , provides synchronized wheels are not be abraded.
- Through the closing profile mounted on the rail, hides the mechanism details.
- Working style is top hanger system.
- Due to high quality ball bearing, system provides silent and durable working function.



Daha fazla bilgi için QR kodu okutunuz.
Scan the QR code for more information.



80 KG TELESCOPIC SLIDING DOOR SYSTEMS



MultiDoor 100

- MultiDoor 100 is a telescopic sliding door system.
- Designed for wooden door.
- Maximum carrying capacity is 80 kg per door.
- Able to use with 30 - 50 mm wood panel.
- Carrier mechanism body is made of durable plastic material.
- Recommended for use with maximum height of 2300 mm
- Minimum door width should be 400 mm
- Able to adjustment up and down.
- System has plastic stopper.
- Carrier mechanism is wheel type flat model.
- Profiles and mechanism are shipping in separate packages.
- You can follow installation 3D videos of our products on www.albaturas.com
- System is working silent and long life working because of high quality ball bearings.
- It hides the mechanism details thanks to the optional closing profile that can be mounted on the rail.
- Provides easy and practical assembly.
- Due to additional door set, the number of doors can be increased.
- Application is made plastic guide on the bottom detail, without a rail.



Daha fazla bilgi için QR kodu okutunuz.
Scan the QR code for more information.



80 KG TELESCOPIC SLIDING DOOR SYSTEMS



MultiDoor 150

- MultiDoor 150 is a telescopic sliding door system.
- Designed for wooden door.
- Maximum carrying capacity is 80 kg per door.
- Able to use with 30 - 50 mm wood panel.
- Carrier mechanism body is made of durable plastic material.
- Recommended for use with maximum height of 2300 mm
- Minimum door width should be 450 mm
- Able to adjustment up and down.
- System has plastic stopper.
- Carrier mechanism is wheel type flat model.
- Profiles and mechanism are shipping in separate packages.
- You can follow installation 3D videos of our products on www.albaturas.com
- Dua to additional door set, the number of doors can be increased.
- Dua to the rope system, the doors work synchronously.
- Provides easy and practical assembly.
- It hides the mechanism details thanks to the optional closing profile that can be mounted on the rail.
- Application is made plastic guide on the bottom detail , without a rail.
- System is working silent and long life working because of high quality ball bearings.



Daha fazla bilgi için QR kodu okutunuz.
Scan the QR code for more information.



80 KG SOFTLINE TELESCOPIC SLIDING DOOR SYSTEMS



MultiDoor 250

- MultiDoor 250 is a telescopic sliding door system.
- Designed for wooden door.
- Maximum carrying capacity is 80 kg per door.
- Able to use with 30 - 50 mm wood panel.
- Carrier mechanism body is made of durable plastic material.
- Recommended for use with maximum height of 2300 mm
- Minimum door width should be 670 mm
- Able to adjustment up and down.
- There is a soft closer in the closing direction integrated into the upper mechanism.
- MultiDoor 250 Carrier has a soft closer system integrated into the mechanism.
- System is working with Air soft closer system.
- Carrier mechanism is wheel type flat model.
- Profiles and mechanism are shipping in separate packages.
- You can follow installation 3D videos of our products on www.albaturas.com
- It hides the mechanism details thanks to the optional closing profile that can be mounted on the rail.
- Due to additional door set, the number of doors can be increased.
- Due to the rope system, the doors work synchronously.
- Provides easy and practical assembly.
- Application is made plastic guide on the bottom detail, without a rail.
- System is working silent and long life working because of high quality ball bearings.



Daha fazla bilgi için QR kodu okutunuz.
Scan the QR code for more information.



60 KG SOFTLINE TELESCOPIC SLIDING DOOR SYSTEMS



MultiDoor 450

- MultiDoor 450 is a telescopic sliding door system.
- Designed for wooden door.
- Maximum carrying capacity is 60 kg per door.
- Able to use with 30 - 50 mm wood panel.
- Mechanism has aluminium body.
- Recommended for use with maximum height of 2300 mm
- Minimum door width should be 810 mm
- Able to adjustment up and down.
- MultiDoor 450 Carrier has a retarder system integrated into the mechanism.
- Soft closer in the closing direction integrated into the upper mechanism.
- System is working with Oil soft closer system.
- Carrier mechanism is wheel type flat model.
- Profiles and mechanism are shipping in separate packages.
- You can follow installation 3D videos of our products on www.albaturas.com
- Dua to the rope system, the doors work synchronously.
- It hides the mechanism details thanks to the optional closing profile that can be mounted on the rail.
- Dua to to additional door set, the number of doors can be increased.
- Application is made plastic guide on the bottom detail, without a rail.
- System is working silent and long life working because of high quality ball bearings.



Daha fazla bilgi için QR kodu okutunuz.
Scan the QR code for more information.



90 DEGREE BI-FOLDING DOOR HARDWARE



Domino 90

- It's Door Scissor System that can be fold and parked 90 degrees.
- It's saves space when opening the door in narrow areas .
- Designed for wooden doors.
- It's available for use on 36-44 mm wooden doors.
The quick assembly kit can be used for 40 mm doors.
- Total carrying capacity of the system is 50 kg.
- Can also be apply by using the mounting bed kit for easy fixing on the wooden door without any milling cutter /cnc operation.
- The assembly bed kit can be paint in the required color and an integrity with the door can be achieved.
- Can be mounted on wood without processing.
- Mechanism body is made of stainless material.
- Can be used in wet places.
- For the gaps of wing , it's produced in 5 different types of sizes .
- There are 2 types of production; as right and left mechanism according to the inside view direction from which the area where the door is parked will be seen.
- It has aesthetic appearance and in well working system.
- Available for use on interior doors.
- The required door handle and/or handle can be fixing on the door in one direction.



Daha fazla bilgi için QR kodu okutunuz.
Scan the QR code for more information.



180 DEGREE BI-FOLDING DOOR HARDWARE



Domino 180

- It's Door Scissor System that can be fold and parked 180 degrees.
- It's saves space when opening the door in narrow areas .
- The doors in parking direction, at a distance of half the door clear opening, allowing to use the entire clear passage opening.
- Designed for wooden doors.
- It's available for use on 36-44 mm wooden doors. The quick assembly kit can be used for 40 mm doors.
- Total carrying capacity of the system is 50 kg.
- 3 doors are suitable for use in one direction with the use of hidden hinges when its necessary .
- Can also be apply by using the mounting bed kit for easy fixing on the wooden door without any milling cutter /cnc operation.
- The assembly bed kit can be paint in the required color and an integrity with the door can be achieved.
- Can be mounted on wood without processing.
- Mechanism body is made of stainless material.
- Can be used in wet places.
- For the gaps of wing , it's produced in 5 different types of sizes .
- There are 2 types of production; as right and left mechanism according to the inside view direction from which the area where the door is parked will be seen.
- It has aesthetic appearance and in well working system.
- Available for use on interior doors.
- The required door handle and/or handle can be fixing on the door in one direction.



Daha fazla bilgi için QR kodu okutunuz.
Scan the QR code for more information.



LIFT FOR WARDROBE



MagicLift 1100

- Wardrobe lifter product produced for cabinets.
- Product has feature pull back up to 15 Kg weight.
- Mechanism body is produced of high-strength plastic material.
- Mechanism has soft closer.
- The packaging of the product is prepared specially for shipment alone Setbox model has durable packaging style.
- As standard , hanger tube between 60 cm - 115 cm
- Our wardrobe lift has a stylish and convenient handle.
- With the soft closer it provides a comfortable use in the closing direction.
- It provides safe access to your clothes without the need for stairs or additional elevation.
- Product has 90 degree and 110 degree angle of function.
- Product has front stop feature prevent it from falling when the go down.
- Has strong side post profile.
- On request, the system has the possibility to extend the range of use with a 22 mm hanger tube up to 160 cm



Daha fazla bilgi için QR kodu okutunuz.
Scan the QR code for more information.



DOOR SEAL SERIES - INTERNAL



Underline 200

- Door Seal Hidden.
- Pressure adjustment applicable to mechanism.
- Its close the gap from 0 to 20 mm in the bottom.
- You can follow installation 3D videos of our products on www.albaturas.com
- Producing standard mat anodized colour.
- Product is prevent to dust.
- It prevents the pass of cold and hot air. Provides isolation.
- It fills the cavities with the spring mechanism and its press from the double point and covers the ground defects.
- Its block to light infiltrate.
- Mechanism working from 2 different point so its shows stable and long-lasating performance.
- Its reduces the energy consumption because of the gap in the bottom is closed with this product.
- It prevents the pass of insects.
- Produced for the sound instulation doors.
- Press Highness 20 mm
- Shortening size 100 mm



Daha fazla bilgi için QR kodu okutunuz.
Scan the QR code for more information.



Fire Resistance Certificate

DOOR SEAL FIRE PROTECTION



Underline 210

- Door Seal Fire Resistance Hidden.
- Pressure adjustment applicable to mechanism.
- Its close the gap from 0 to 20 mm in the bottom .
- You can follow installation 3D videos of our products on www.albaturas.com
- Producing standard mat anodized colour.
- The hidden application model prevents image pollution.
- When the door is opened, there is no mechanism attachment on the floor. It facilitates the passage of disabled individuals.
- It prevents the pass of insects.
- Its reduces the energy consumption because of the gap in the bottom is closed with this product.
- Its block to light infiltrate.
- It fills the cavities with the spring mechanism and its press from the double point and covers the ground defects.
- Press Highness 20 mm
- Shortening size 100 mm
- Due to mechanism door is opening and automatically closing.
- Product is prevent to wind, dust and sound.
- It prevents the pass of cold and hot air. Provides isolation.



Daha fazla bilgi için QR kodu okutunuz.
Scan the QR code for more information.

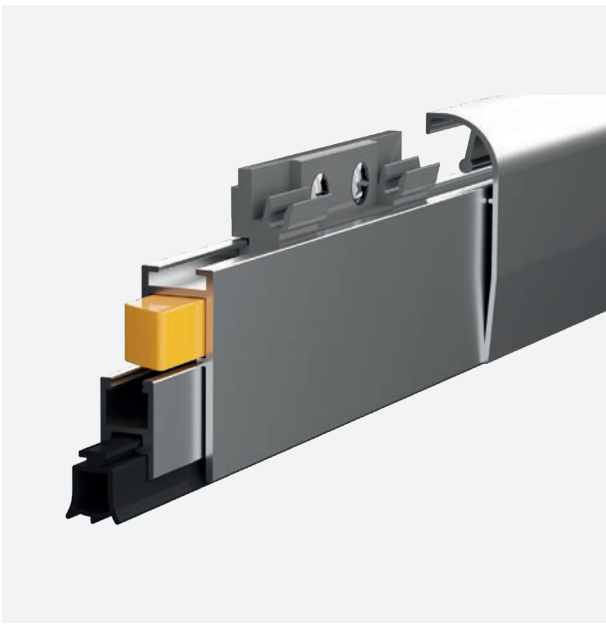


DOOR SEAL -EXTERNAL



Underline 220

- Door Seal Hidden.
- Its close the gap from 0 to 20 mm in the bottom.
- Pressure adjustment applicable to mechanism.
- You can follow installation 3D videos of our products on www.albaturas.com
- Producing standard mat anodized colour.
- It prevents the pass of cold and hot air. Provides isolation..
- Product is prevent to dust.
- Due to mechanism door is opening and automatically closing.
- Shortening size 100 mm
- Press Highness 20 mm
- Mechanism working from 2 different point so its shows stable and long-lasating performance.
- It fills the cavities with the spring mechanism and its press from the double point and covers the ground defects.
- Its block to light infiltrate.
- Its reduces the energy consumption because of the gap in the bottom is closed with this product.
- It prevents the pass of insects.
- When the door is opened, there is no mechanism attachment on the floor. It facilitates the passage of disabled individuals.



Daha fazla bilgi için QR kodu okutunuz.
Scan the QR code for more information.



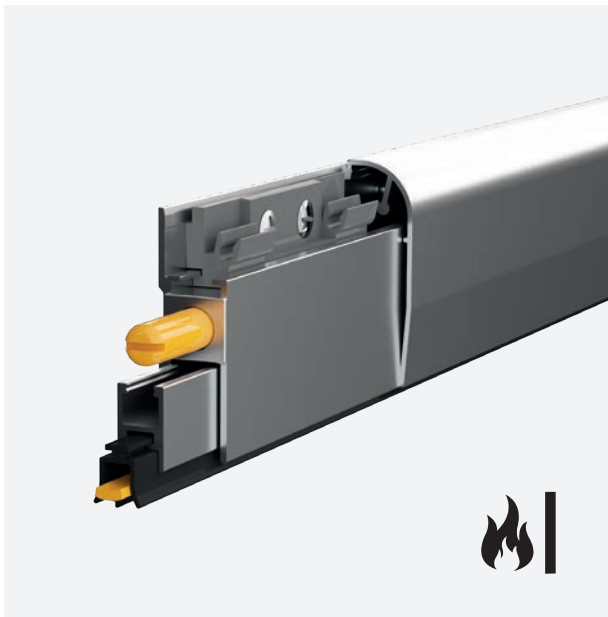
Fire Resistance Certificate

DOOR SEAL FIRE PROTECTION-EXTERNAL



Underline 230

- Door Seal Fire Resistance External.
- Pressure adjustment applicable to mechanism.
- Its close the gap from 0 to 20 mm in the bottom .
- You can follow installation 3D videos of our products on www.albaturas.com
- Producing standard mat anodized colour.
- It fills the cavities with the spring mechanism and its press from the double point and covers the ground defects.
- Its block to light infiltrate.
- Its reduces the energy consumption because of the gap in the bottom is closed with this product.
- It prevents the pass of insects.
- When the door is opened, there is no mechanism attachment on the floor. It facilitates the passage of disabled individuals.
- Press Highness 20 mm
- Shortening size 100 mm
- Mechanism working from 2 different point so its shows stable and long-lasating performance.
- It prevents the pass of cold and hot air. Provides isolation.
- Product is prevent to wind, dust and sound.
- Due to mechanism door is opening and automatically closing.



Daha fazla bilgi için QR kodu okutunuz.
Scan the QR code for more information.



DOOR SEAL - INTERNAL



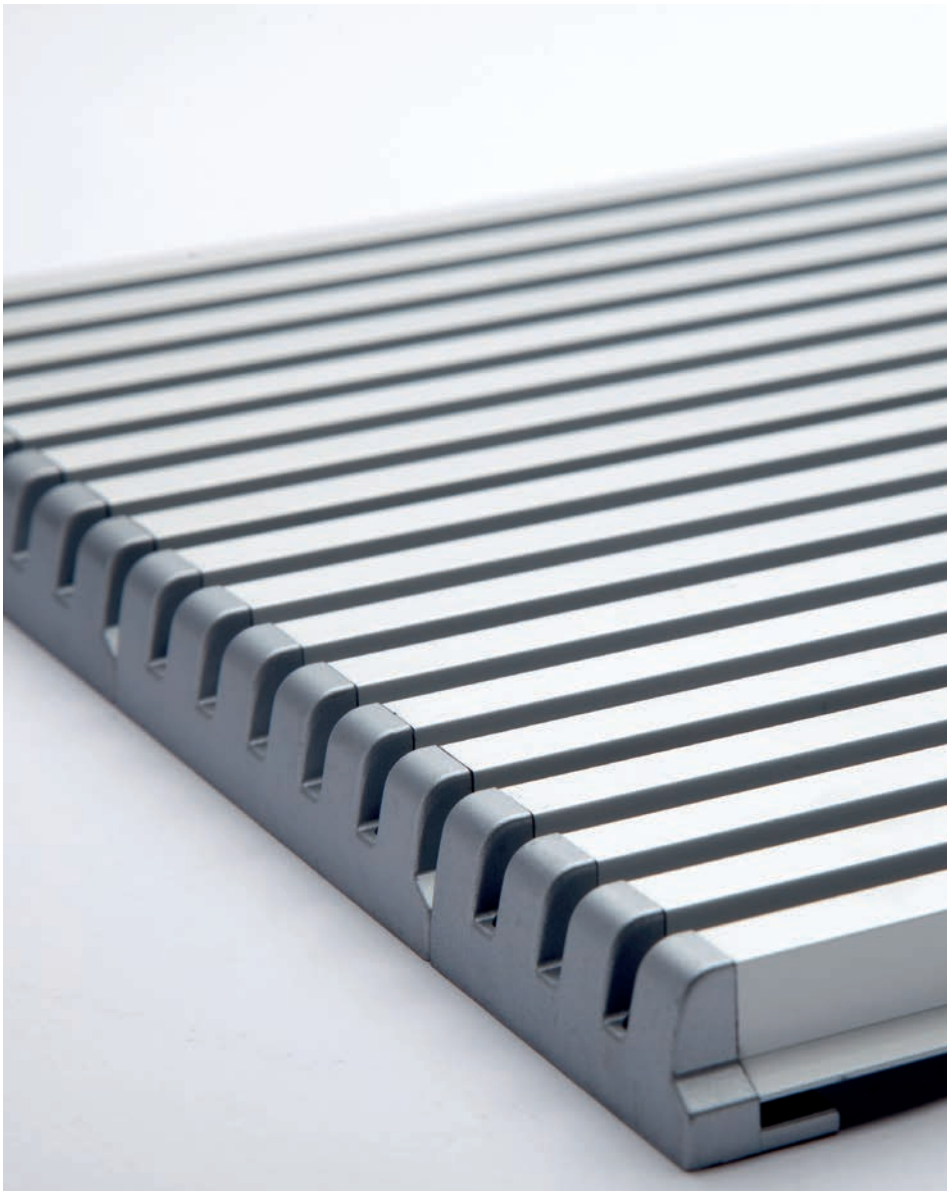
Underline 300



- Door Seal.
- Shortened up to 20 cm.
- Pressure adjustment applicable to mechanism.
- Usable for 0 - 13 mm drop.
- Special custom sizes, please contact with your customer representative.
- You can follow installation 3D videos of our products on www.albaturas.com
- Producing standard mat anodized colour.
- Produced for the sound insulation doors.
- Designed for wooden doors.
- It prevents the pass of insects.
- When the door is opened, there is no mechanism attachment on the floor. It facilitates the passage of disabled individuals.
- The hidden application model prevents image pollution.
- Suitable for use on uneven floors.
- Its block to light infiltrate.
- Its reduces the energy consumption because of the gap in the bottom is closed with this product.
- It prevents the pass of cold and hot air. Provides isolation.
- Product is prevent to wind, dust and sound.
- Due to mechanism door is opening and automatically closing.



Daha fazla bilgi için QR kodu okutunuz.
Scan the QR code for more information.



ALUMINIUM AIR VENTILATION COVER



Ventil 440 Series

- Aluminum decorative air ventilation product.
- The width is 60 - 90 - 120 mm. Produced in standard sizes.
- Producing in Bright and Mat anodized colors in standards.
- Provides easy and practical assembly.
- Its allow to close bad surface of your place.
- Special custom sizes, please contact with your customer representative.



Daha fazla bilgi için QR kodu okutunuz.
Scan the QR code for more information.

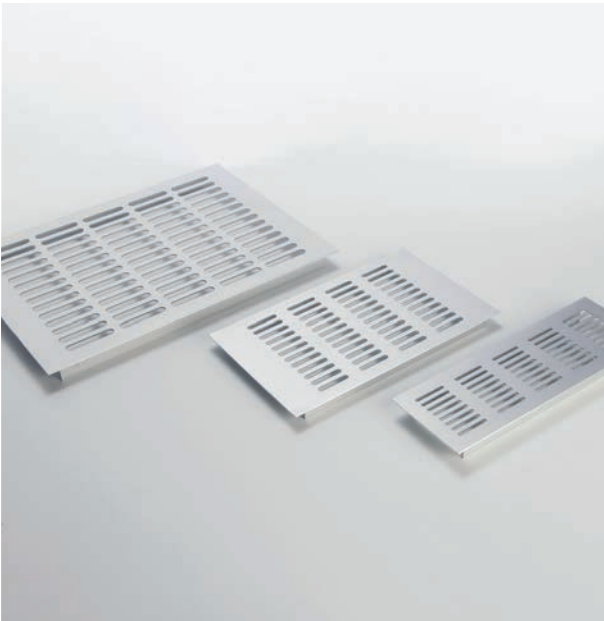


ALUMINIUM AIR VENTILATION COVER



Ventil 900 Series

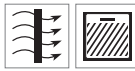
- Aluminum decorative air ventilation product.
- The width is 70 -120 - 200 mm. Produced in standard sizes.
- Producing in Bright and Mat anodized colors in standards.
- Provides easy and practical assembly.
- Special custom sizes, please contact with your customer representative.
- Aesthetic appearance.



Daha fazla bilgi için QR kodu okutunuz.
Scan the QR code for more information.



ALUMINIUM AIR VENTILATION COVER



Ventil 950

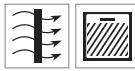
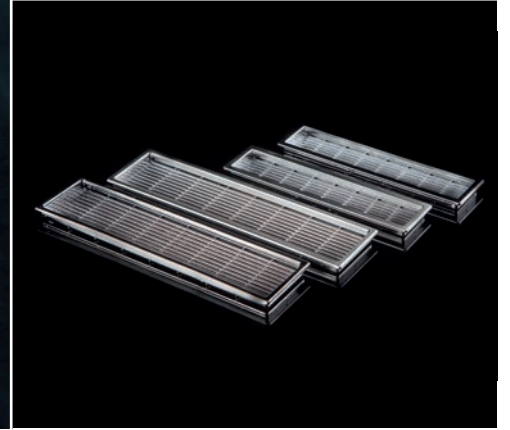
- Aluminum decorative air ventilation product.
- The width is 70 - 120 - 200 mm. Produced in standard sizes.
- Producing in Bright and Mat anodized colors.
- Provides easy and practical assembly.
- Special custom sizes, please contact with your customer representative.
- Appearance square and aesthetic shape.



Daha fazla bilgi için QR kodu okutunuz.
Scan the QR code for more information.



PLASTIC AIR VENTILATION COVER



Ventil Plastic Series

- Plastic decorative air ventilation product
- Producing to Metallic White / White / Dark Brown / Black colours
- Provides easy and practical assembly
- It has large ventilation holes
- Special custom sizes, please contact with your customer representative.



Daha fazla bilgi için QR kodu okutunuz.
Scan the QR code for more information.



SWIVEL PLATE - TURNABLE TABLE MECHANISM



TurnTable Series

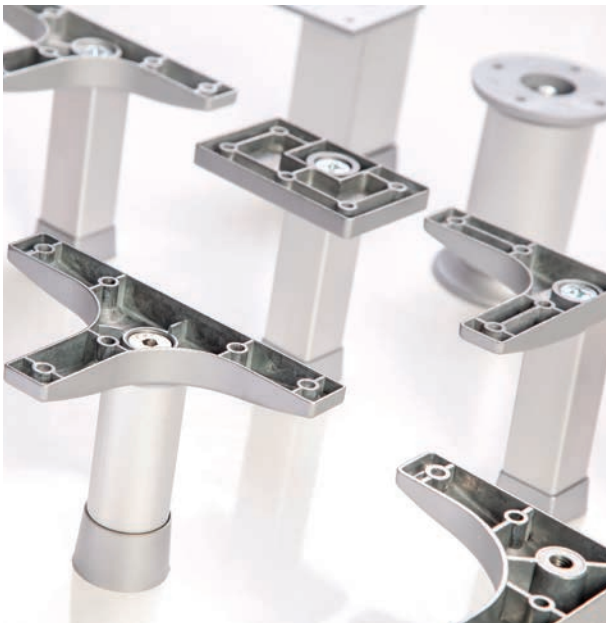
- Metal TV swivel plate mechanism.
- Due to with spring mechanism inside, its automatically returning to starting position.
- It is produced as galvanized surface or static paint.
- Produced in 9 different model.
- With the ball system can be comfortable rotation movement.
- Can be requested in product display stands, bar stool systems.
- It has different carrier capacities between 60 kg and 160 kg.
- You can share your requests with different sizes and features specific to customer demands with our company.



Daha fazla bilgi için QR kodu okutunuz.
Scan the QR code for more information.



FURNITURE FEET SERIES

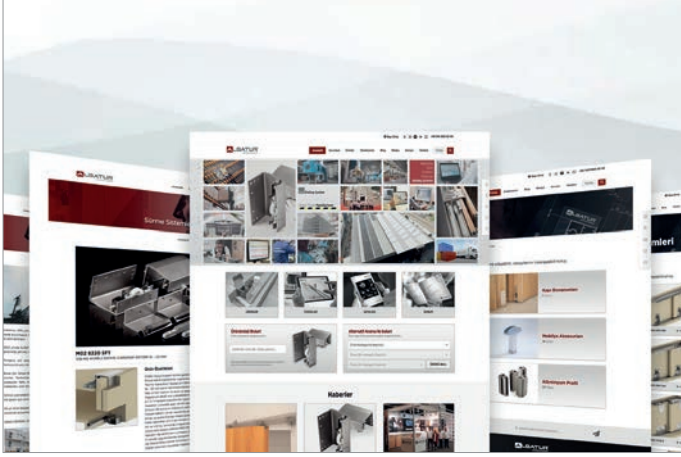


Feet Series

- Its producing with plastic and zinc materials.
- Feet series consists of 13 different products.
- Can be producing in different sizes.
- It has matte anodized, glossy, wet paint surface color options.
- Solid and durable.
- It has aesthetic design and appearance.
- Hole sizes are suitable for mass production.
- Top connection is made of aluminum material.
- It has height adjustment screw.
- It has detail of closing the adjustment screw detail.
- Produced using original raw materials.



Daha fazla bilgi için QR kodu okutunuz.
Scan the QR code for more information.



In our constantly updated website, you can reach more detailed technical information and you can watch insallations videos of our products. You can see our product brochure and you can follow new products and news.



In order to provide easy and pratic installation of our products, Albatur company prepares installation videos. In this way, we have the opportunity to introduce our product to our application professionals in different corners of the world faster and more effectively.

You can reach our 3D montage videos from our website
www.albaturas.com
www.youtube.com/albaturas,
vimeo.com/albaturas,
facebook page.



ALBATUR[®]
produces quality

ALB[®]

ALB GLOBAL[®]

Dormech[®]
door automation

Québec[®]

windustop[®]

SRG[®]

SETBOX[®]

THE
Sliding
System

TurnTable[®]

Pulltens[®]

Multiline[®]

WingSlide[®]

GlassDoor[®]

MultiDoor[®]

BarnDoor[®]

Glassline[®]

DoorSlide[®]

TvSlide[®]

Rigel[®]

Coplanar[®]

Softline[®]

DoorSync[®]

Underline[®]

TopSlide[®]

MasterFold[®]

MagicLift[®]

EasyDoor[®]

Ventil[®]Plastic

Ventil[®]Aluminium

Momentum[®]

Interline[®]

Domino[®]

Feet[®]

Master+[®]

link+[®]



sales@albatas.com

albatas.com